

PB 150 Ex manual push button

SIL2 compliant as IEC 61508 & IEC 61511



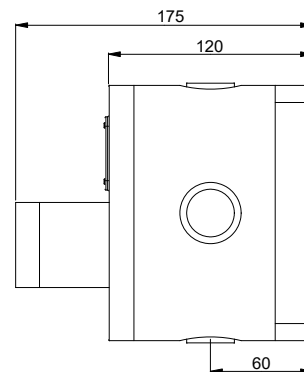
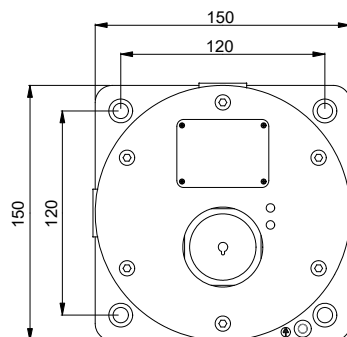
The flameproof PB150 manual push button is ATEX / IECEx certified for use in potentially explosive atmospheres. It can be used to activate alarms to alert personnel to potential dangers, help signal the need for immediate action in emergency situations and more. It is made from GRP. Optional SIL2 IEC61508 certification.

ATEX / IECEx Certification: ATEX Zone 1 and Zone 2 Certified for group IIC gas / vapour and Zone 21 and Zone 22 compliant for dust / powder applications. SIL2 compliant as IEC 61508 & IEC 61511.

Application: Oil and gas, chemical, petrochemical, pharmaceutical, marine and offshore applications

Key features: Robust and highly reliable, this Ex manual push button is designed for corrosive environments and hazardous areas. Housing is moulded Glass-Reinforced Polyester (GRP), protected by a UV resistant paint. These ATEX / IECEx compliant manual push buttons are compatible with PLC, ESD and DCS systems.

Options: There are two versions, a push button and push button with key to Reset. The visualisation functions, line detection and lift flap protection are optional. A range of accessories is available to customise this ATEX / IECEx manual push button. These include pipe mounting brackets, sunshades, tag and duty labels and other accessories.





Phone: +44 (0)1752 333 933 | E-mail: sales@ex-techsignalling.com | Website: www.ex-techsignalling.com

Ex-tech Signalling Bell Close, Plympton, Devon, PL7 4JH, UK

Please note that whilst effort has been made to ensure the accuracy of this datasheet. Ex-tech Signalling will not assume liability for the use thereof. Ex-tech Signalling reserves the right to improve specifications without prior notice, please refer to our website for updated information or contact our local sales representative.

PB 150 Ex manual push button

SIL2 compliant as IEC 61508 & IEC 61511

MATERIAL	• Enclosure: Glass-Reinforced Polyester (GRP)		
COLOUR	• RED : RAL3001/RAL3028	• YELLOW : RAL1018	• BLUE : RAL5005
	• BLACK : RAL9005	• GREEN : RAL6032	• GREY : RAL7038
	• ORANGE : RAL2010		
INGRESS PROTECTION	• IP66/67		
AMBIENT TEMPERATURE FOR OPERATION	• T6 = - 40°C ~ + 55°C , T5 = - 40°C ~ + 60°C, T4 = - 40°C ~ + 70°C		
CERTIFICATION	• Nemko 13 ATEX 1564X, IECEX NEM 13.0034X		
EX CODE	 • II 2 GD Ex d IIC +H2 T6 Gb • Ex tb IIIC T85°C		
STANDARD	• EN / IEC 60079-0, EN / IEC 60079-1, EN / IEC 60079-31		
ATEX AREA ZONE	• Gas zone: 1 & 2 Dust zone: 21 & 22		
AMBIENT HUMIDITY*	• up to 95%		
RATED IMPULSE WITHSTAND VOLTAGE	• 1kV following IEC 61000-4-5		
CONTACT TYPE	• 1x C/O or 2x C/O		
COMMAND TYPE UNIT	• self reset or key push pull		
RATING	• AC 125/250 V (50/60Hz) = 11 A*** ; 30V DC = 6A***; 125 VDC = 0,3A***; 250 V DC = 0,6A***		
MINIMUM VOLTAGE AND CURRENT	• DC 5V 10mA		
SHORTS CIRCUIT PROTECTION	• 10 A gG		
CABLES ENTRY	• 4 x M20, 1 x M25 x 1.5 + 3 x M20, 1 x 1/2" NPT + 3 x M20, 1 x 3/4" NPT + 3 x M20		
TERMINAL	• From 22 to 14 AWG - from 0.50 mm ² to 2.5 mm ²		
NET WEIGHT	• 3.5 Kg		
LINE RESISTOR**	• 470 Ohms**	• 1 watt	
SIGNALLING LED**	• Green U= 24V DC I=10mA; Red U=24V DC I= 20mA		

* = without runoff - ** = optional - *** resistive load - cable gland and blind plug not provided

Phone: +44 (0)1752 333 933 | E-mail: sales@ex-techsignalling.com | Website: www.ex-techsignalling.com

Ex-tech Signalling Bell Close, Plympton, Devon, PL7 4JH, UK

Please note that whilst effort has been made to ensure the accuracy of this datasheet. Ex-tech Signalling will not assume liability for the use thereof. Ex-tech Signalling reserves the right to improve specifications without prior notice, please refer to our website for updated information or contact our local sales representative.

PB 150 Ex manual push button

SIL2 compliant as IEC 61508 & IEC 61511

Product	Certification	Switches	Duty label	Tag label	Reset	LED indicator	Features	Connection	Housing
PB	150	S	N	Y	K	L	FRD	A	RD



PB	= PUSH BUTTON
150	= HAZARDOUS AREA
151	= NON-CERTIFIED
S	= 1
D	= 2
Y	= YES (SEE LIST)
N	= NO
Y	= YES
N	= NO
S	= SELF-RESET
K	= KEY RESET
L	= RED & GREEN
R	= RED
G	= GREEN
N	= NO LED

- RD** ● = RED
- YW** ● = YELLOW
- BU** ● = BLUE
- BL** ● = BLACK
- GN** ● = GREEN
- GY** ● = GREY
- OJ** ● = ORANGE
- OR** ○ = OTHER

- A** = 4 x M20 x 1.5
- B** = 1 x M25 x 1.5 + 3 x M20 x 1.5
- C** = 1 x 1/2" NPT + 3 x M20 x 1.5
- D** = 1 x 3/4" NPT + 3 x M20 x 1.5

Additional adaptors can be supplied as well as blanking plugs and cable glands, see below.

- F** = LIFT FLAP
- R** = RESISTOR(S)
- D** = DIODE(S)
- N** = NO FEATURES

CONDUIT ACCESSORIES	
M20 316L St. St Exd conduit plug	SPARE3060009
M25 St. St. conduit adaptor	SPARE3060105
1/2" NPT St. St. conduit adaptor	SPARE3060108
3/4" NPT St. St. conduit adaptor	SPARE3060107
St. St Exd cable gland 7-12mm	SPARE3060108
St. St Exd cable gland 10-16mm	SPARE3060109

CONDUIT ACCESSORIES	
M20 NPB Exd conduit plug	SPARE3060008
M25 NPB conduit adaptor	SPARE3060003
1/2" NPT NPB conduit adaptor	SPARE3060001
3/4" NPT NPB conduit adaptor	SPARE3060002
NPB Exd cable gland 7-12mm	SPARE3060019
NPB Exd cable gland 10-16mm	SPARE3060018

Phone: +44 (0)1752 333 933 | E-mail: sales@ex-techsignalling.com | Website: www.ex-techsignalling.com

Ex-tech Signalling Bell Close, Plympton, Devon, PL7 4JH, UK

Please note that whilst effort has been made to ensure the accuracy of this datasheet. Ex-tech Signalling will not assume liability for the use thereof. Ex-tech Signalling reserves the right to improve specifications without prior notice, please refer to our website for updated information or contact our local sales representative.