

**RED SKY**  
SERIOUSLY SAFE LIGHTS™

# BLOCK SERIES X1

## Technical Specification Sheet



# PIONEERING INDUSTRIAL ILLUMINATION FOR HARSH & HAZARDOUS CONDITIONS

---

A leading manufacturer of premium LED lights for demanding work conditions

Headquartered in California, products assembled in the USA

Servicing global clients across 4 continents in metal processing, oil & gas, marine, manufacturing

Renowned for quality, dependability, client care and uncompromising safety standards



## WHY CHOOSE RED SKY

### ❧ SERIOUSLY SAFE LIGHTS

- Rigorously tested in our professional labs
- Surpassing industry certifications and safety protocols
- Crafted with highest grade components for maximum durability

### ❧ TOP-NOTCH SERVICES

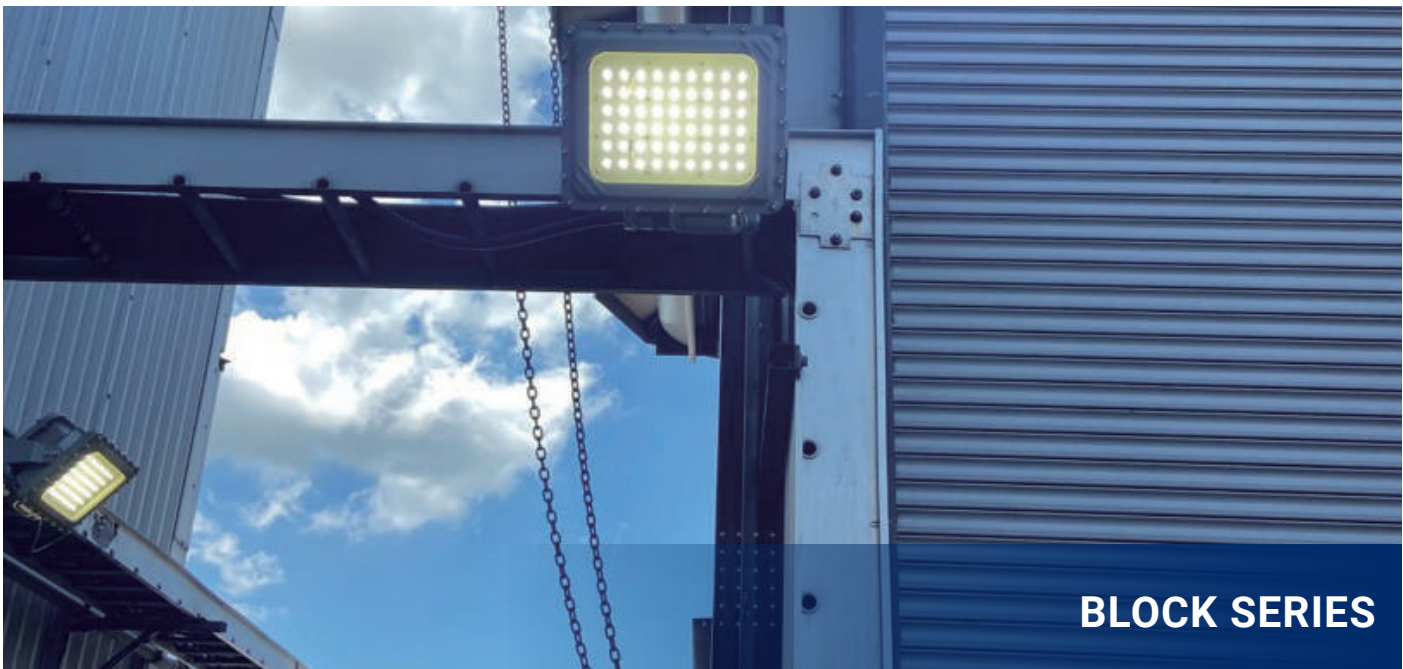
- Team of experts for seamless support
- Energy audit services, lighting simulation services
- Hassle-free return policy and management

### ❧ FAST DELIVERY

- Majority of orders delivered within 14 days
- Same day shipping for products in stock
- Real-time order tracking for full transparency

### ❧ SUSTAINABLE SOLUTIONS

- High luminous efficacy LEDs for energy savings
- Conscious product design
- Recyclable materials for products and packaging



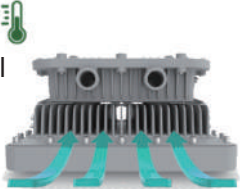
# BLOCK SERIES

## FEATURES



### Excellent Heat Dissipation

Self-contained LED and Driver compartment with external air-flow fins provide exceptional heat dissipation to ensure long lifespan



### Easy and Through Wiring

A quick-access WAGO 5-pole lever connector that allows for easy wire-in / wire-out connection. (0.5-4mm<sup>2</sup>)



## RATINGS

Zone 1,21  
Zone 2,22  
IP66  
IK08

## CERTIFICATIONS

ATEX  
II 2G Ex d IIB T5 Gb  
II 2D Ex tb IIIC 95°C Max Db IP 66

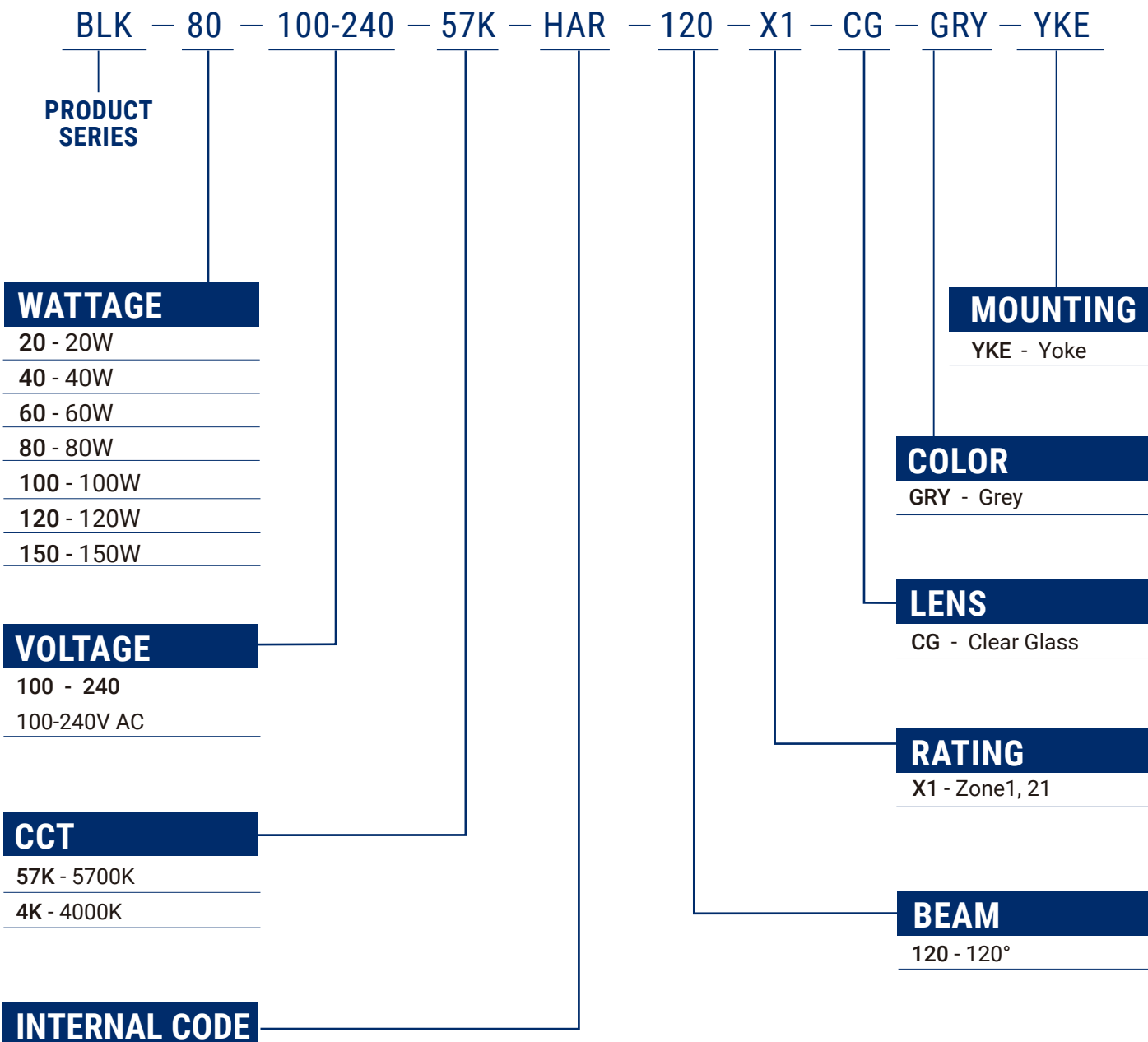
# TECHNICAL PARAMETERS

Specification	BLK-X1-20	BLK-X1-40	BLK-X1-60	BLK-X1-80	BLK-X1-100	BLK-X1-120	BLK-X1-150
<b>Electrical Parameters</b>							
Power	20W	40W	60W	80W	100W	120W	150W
Voltage/Frequency	100-240V AC, 50/60Hz						
Power Factor	>90%						
THD	<20%						
L70	140,000 Hours@50°C						
Surge Protection	2KV			4KV			
Warranty	LEDs: 10 years , Driver: 5 years						
<b>Optical Parameters</b>							
Lumen Output*	2,399Lm	4,260Lm	5,944Lm	8,815Lm	10,733Lm	15,807Lm	18,863Lm
Lumen Efficacy*	120Lm/W			130Lm/W			
Available Beam Angle	120°						
Correlated Color Temperature (CCT)	4000K/5700K						
Color Rendering Index (CRI)	Ra>70						
<b>Mechanical Parameters</b>							
Finish	Thermoset Powdercoat						
Hardware	Stainless steel 316						
Lens Material	Clear Glass						
Mounting Options	Yoke, Stanchion						
Product Weight	10.1lbs/4.6kg			33.3lbs/15.1kg			
Cable Entry	(1) 3/4" NPT			(2) 3/4" NPT			
Product Dimensions(LxWxH)	9.6x8x5.6in (243x203x141 mm)			13.2x11x6.6in (336x279x168 mm)			
<b>Environmental Parameters</b>							
Ambient Operating Temperature	-30°C ~ +50°C						
T-Code Ratin	Gas – T5, Dust – 95°C						

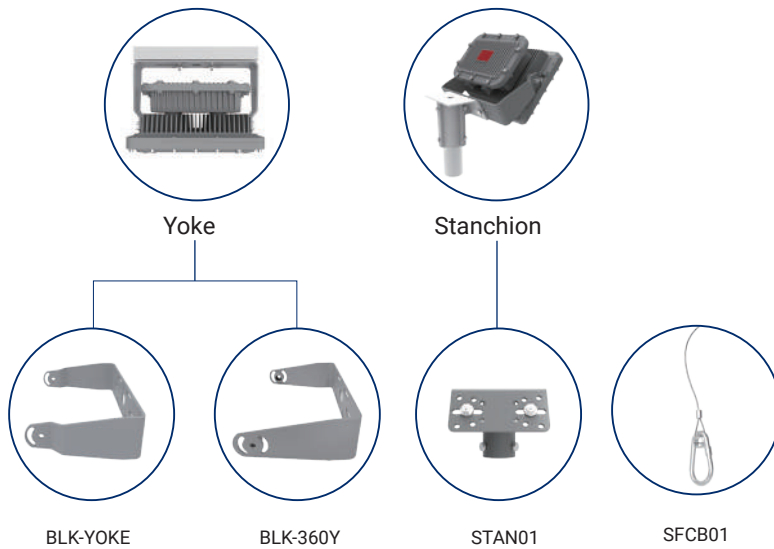
\* Value calculated based on 5700K and clear glass ,varies to different spec.

# ORDERING INFORMATION

**EXAMPLE:** BLK-80-100-240-57K-HAR-120-X1-CG-GRY-YKE



# MOUNTING ACCESSORIES



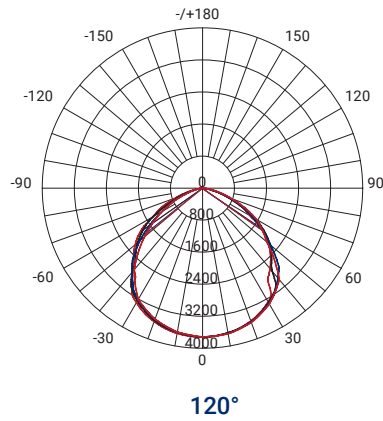
Mounting Method	PN	Description	MPN Code
Yoke	BLK-YOKE	Yoke Mount BLK SERIES, SS304. Power Coated Grey RAL7037	309050055
	BLK-360Y	360° rotation Yoke Mount. BLK SERIES. SS304. Power Coated Grey RAL7037	201010115
Stanchion	STAN01*	Slip-Fit Stanchion Mount Kit. BLK SERIES. SS304. Power Coated Grey RAL7037	309050300
	SFCB01	Safety Cable Kit, BLK & RDX SERIES, SS304	106060018

\* Requires A Yoke Mount

# LUMEN TABLE

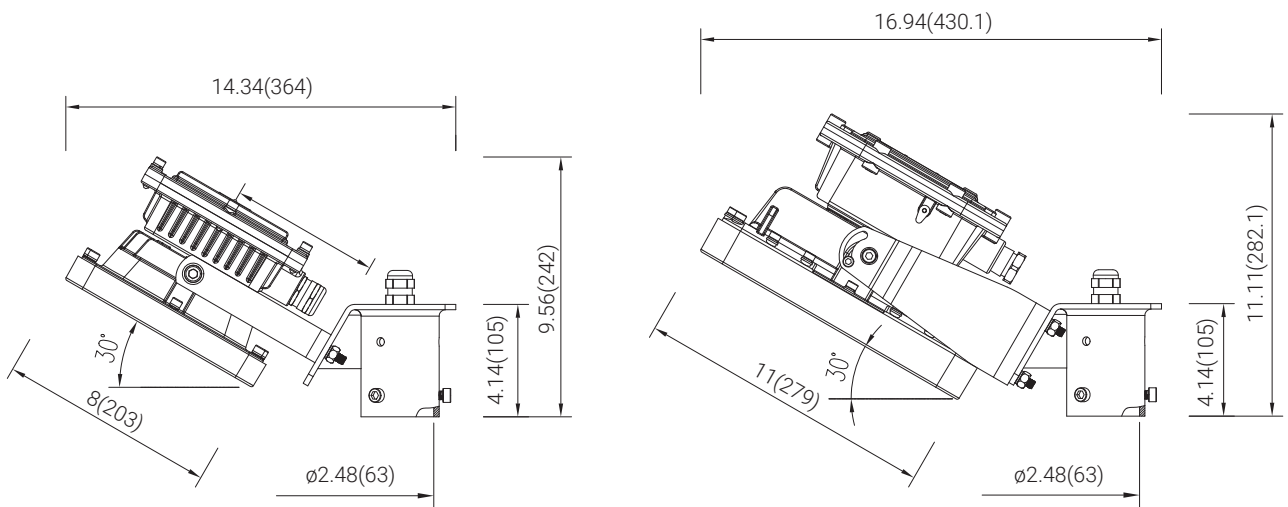
Part Number	Wattage (W)	CCT	Beam	Lens	Lumen Output (Lm)	Efficiency (Lm/W)
<b>Voltage 100-240VAC</b>						
BLK-20-100-240-57K-120-X1-CG-GRY-YKE	20	5700K	120°	Clear Glass	2,399	116
BLK-40-100-240-57K-120-X1-CG-GRY-YKE	40	5700K	120°	Clear Glass	4,260	106
BLK-60-100-240-57K-120-X1-CG-GRY-YKE	60	5700K	120°	Clear Glass	5,944	101
BLK-80-100-240-57K-120-X1-CG-GRY-YKE	80	5700K	120°	Clear Glass	8,815	110
BLK-100-100-240-57K-120-X1-CG-GRY-YKE	100	5700K	120°	Clear Glass	10,733	107
BLK-120-100-240-57K-120-X1-CG-GRY-YKE	120	5700K	120°	Clear Glass	15,807	128
BLK-150-100-240-57K-120-X1-CG-GRY-YKE	150	5700K	120°	Clear Glass	18,863	123

For additional information, please contact your sales representative.



## DIMENSIONS

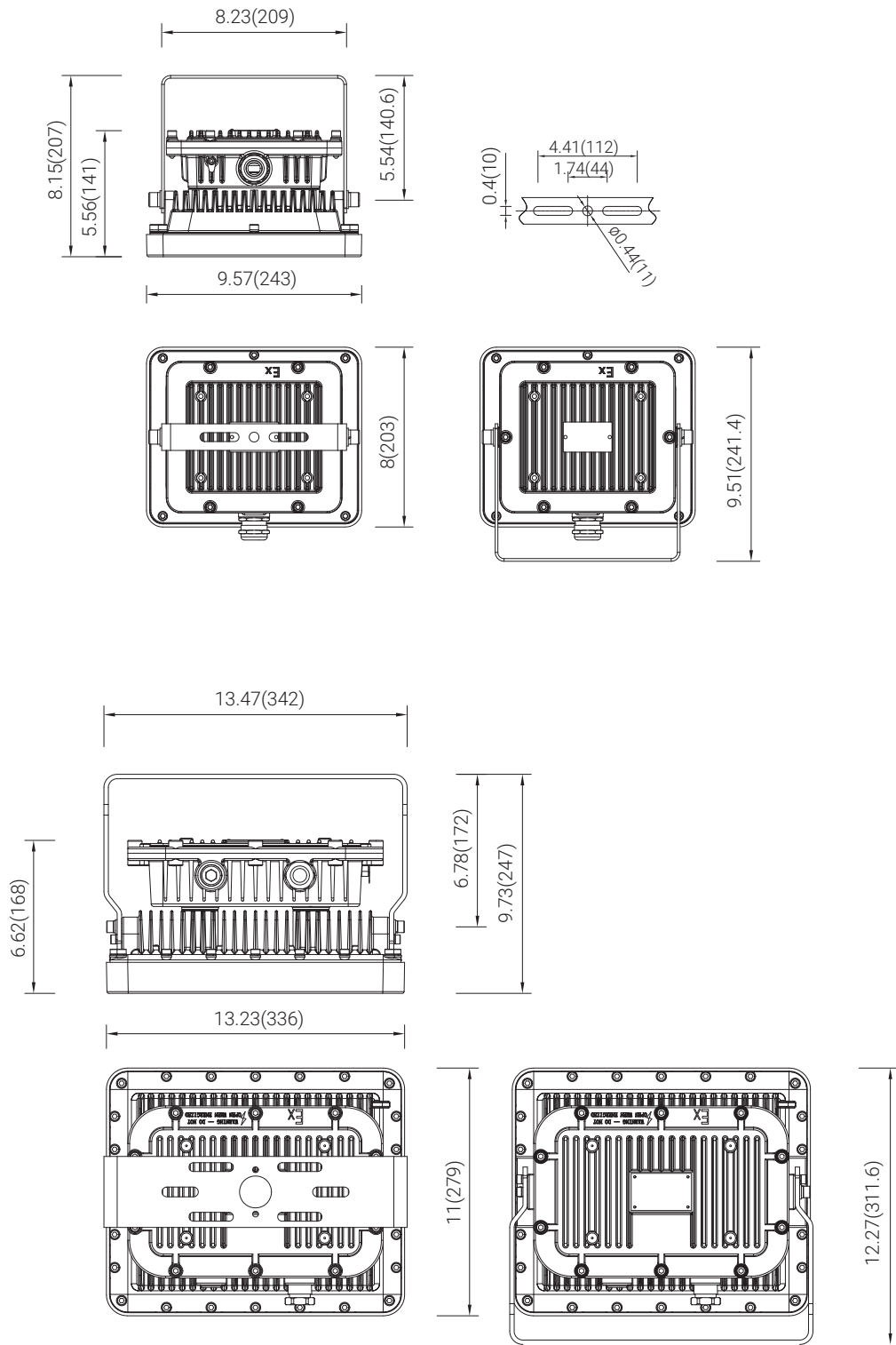
unit: in(mm)



Stanchion

# DIMENSIONS

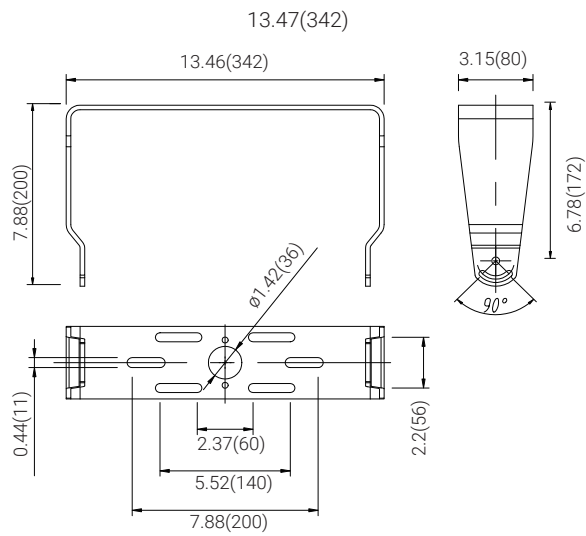
unit: in(mm)



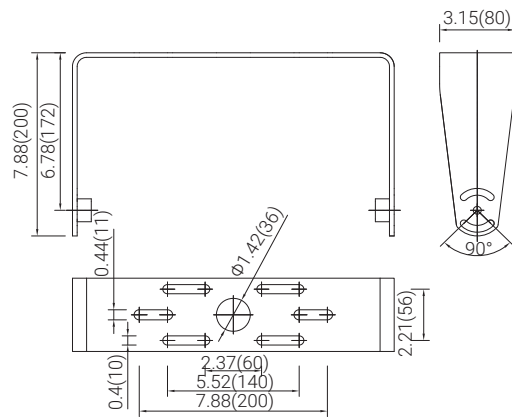
Yoke

# DIMENSIONS

unit: in(mm)



**BLK-YOKE**



**YOKE-360Y**

# HAZARDOUS LOCATION LIGHTING BASICS

## Atmosphere Groups

## Temperature Classification

Substance	Hazard Class	Division Groups	Zone Groups	Max. Surface Temperatures	NEC® 500 CEC®	NEC® 500/IEC-Group II
Acetylene	Class I Flammable Gases	Group A	IIC	450(842)	T1	T1
Hydrogen		Group B	IIC	300(572)	T2	
Ethylene		Group C	IIB	280(536)	T2A	T2
Propane		Group D	IIA	260(500)	T2B	
Methane		Group D	IIA <sup>2</sup>	230(446)	T2C	
Combustible Metal Dusts	Class II Combustible Dusts	Group E <sup>1</sup>	IIIC <sup>3</sup>	215(419)	T2D	T3
Combustible Carbonaceous Dust		Group F	IIIB <sup>3</sup>	200(392)	T3	
Combustible Dusts not in Group E or F (Flour, Grain, Wood, Plastics, Chemicals)		Group G	IIIB <sup>3</sup>	180(256)	T3A	
Combustible Fibers and Flyings		Class III Fibers and Flyings	Not Applicable	IIIA <sup>3</sup>	165(329)	
				160(320)	T3C	T4
				135(275)	T4	
				120(248)	T4A	T4
				100(212)	T5	T5
				85(185)	T6	T6

Note 1: Group E is applicable to Class II, Division 1 only.  
 Note 2: Methane is a Group IIA Gas for non-mining applications.  
 Note 3: Group IIIA, IIIB and IIIC have not been adopted by the Canadian Electrical Code.

## Classification of Divisions and Zones

Hazard Level	Division Scheme	Zone Scheme	Definitions
Continuous Hazard	Division 1	Zone 0 / Zone 20	A place in which an explosive atmosphere is continually present
Intermittent Hazard		Zone 1 / Zone 21	A place in which an explosive atmosphere is likely to occur in normal operation
Hazard Under Abnormal Conditions	Division 2	Zone 2 / Zone 22	A place in which an explosive atmosphere is not likely to occur in normal operation, but may occur for short periods

## IP Codes

1st No.	Solid Objects
0	No protection
1	Objects greater than 50mm
2	Objects greater than 12.5mm
3	Objects greater than 2.5mm
4	Objects greater than 1mm
5	Dust protected
6	Dust proof
2nd No.	Liquids
0	No protection
1	Vertically dripping
2	Dripping up to 15°
3	Limited spraying
4	Splashing from all directions
5	Hosing jets from all directions
6	Strong hosing jets from all directions
7	Temporary immersion
8	Continuous immersion
9	Steam-jet cleaning

## IK Ratings

IK Code	Level of Protection Achieved
IK00	Not protected
IK01	Protected against 0.14 joules impact
IK02	Protected against 0.2 joules impact
IK03	Protected against 0.35 joules impact
IK04	Protected against 0.5 joules impact
IK05	Protected against 0.7 joules impact
IK06	Protected against 1 joules impact
IK07	Protected against 2 joules impact
IK08	Protected against 5 joules impact
IK09	Protected against 10 joules impact
IK10	Protected against 20 joules impact

# RED SKY

## SERIOUSLY SAFE LIGHTS™

AUTHORISED DISTRIBUTOR

# daly

Middle East

Partner under the UK, Qatar and Oman

### Daly Middle East L.L.C.



+971 4 887 2049  
+971 4 887 8184  
sales@daly-me.com

Plot 597-952, WH #3, Kamala Trading Compound,  
Dubai Investment Park 2, PO Box 282131, Dubai,  
U.A.E.

### DME Trading and Maintenance WLL.



+974 5023 1614  
Vipin Venugopalan  
sales@daly-me.com

Al Shoumoukh Towers, Office 1041, Tower B, Floor  
10, C-Ring Road, Al Sadd, PO Box 55896, Doha,  
Qatar

### Bin Moosa Trading and Contracting LLC.



+968 2 411 1807  
+968 2 411 1889  
+968 7952 7504

Mohammed Hanif | PO Box 1118, PC 1111,  
Muscat, Sultanate of Oman  
sales@daly-me.com

### DME Trading and Maintenance Limited



sales@daly-me.com  
Point, 19 Oxford Road, Bournemouth,  
Dorset, United Kingdom, BH8 8GS

### Daly Middle East DWC LLC

Building A3, Floor 1, Office 140, DWC, Dubai P.O. Box 712521



+971 4 887 2049



sales@daly-me.com



www.daly-me.com



@daly-middle-east