

FEATURES & ADVANTAGES

EM-T8 LED Tube Light

Housing:

- Die casting aluminum heat sink base
- Plastic end cap with 2 pins T8, G13

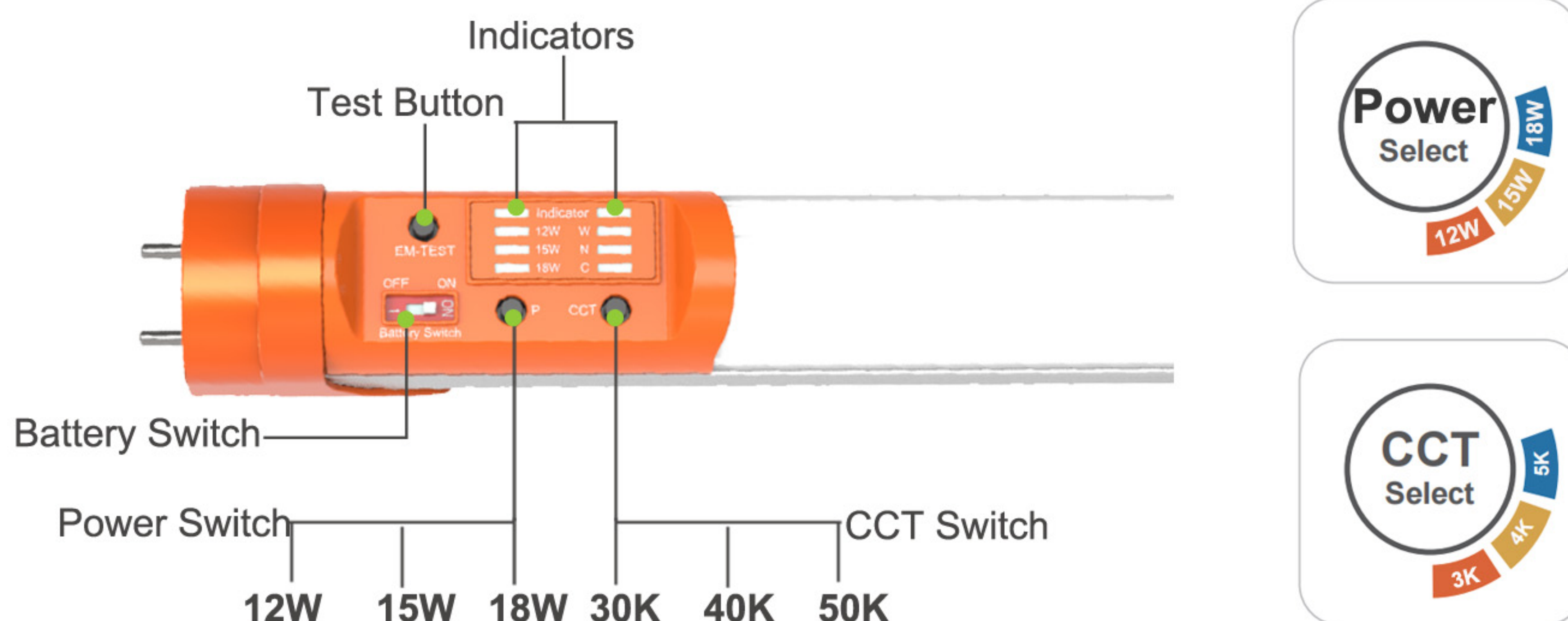
LED Optics:

- Epistar 2835 SMD 130 LM/W
- Japan Teijin PC cover, high transmittance, 140°C high temperature resistant
- 120° beam angle

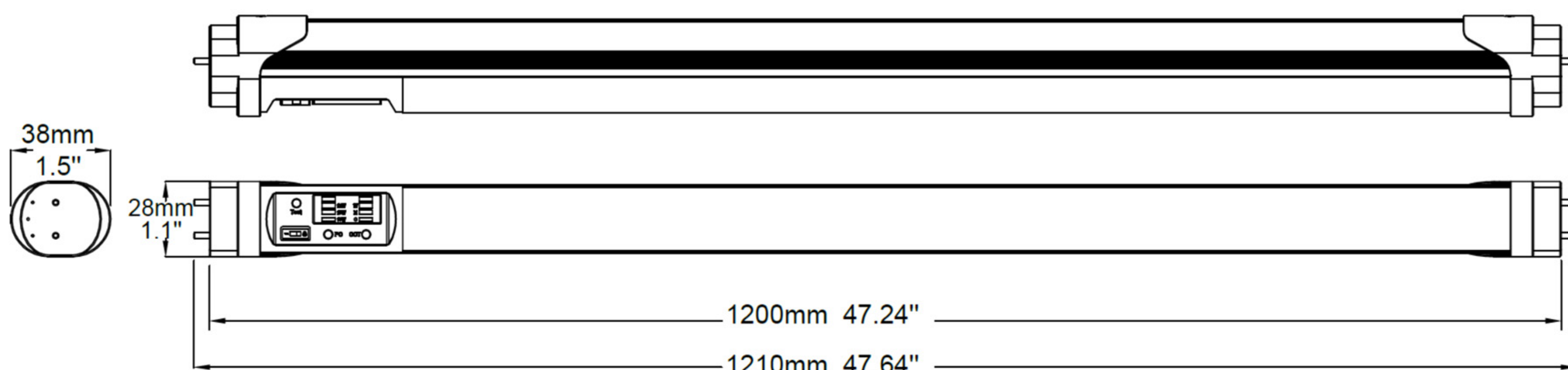


Electrical & Control:

- 100-277V AC, 50/60Hz direct
- Self-ballasted lamp, UL type B
- Compatible with both conventional power supply function and emergency power supply function
- UL CSA CE RoHS certified
- Power output 12W-15W-18W switchable
- CCT 3000K-4000K-5000K switchable
- Emergency lighting output 680 LM@90 minutes at least
- Automatic emergency lighting test 30 seconds discharging monthly and 90 minutes discharging annually



Dimension:



Battery:

- Built-in Ni-MH battery, with over charging and over discharging protection
- Over 500 cycles of standard charging and discharging
- Fire resistant wrapping material, V0 level, thermal insulating and, inflaming retarding
- Discharging(-20°~70°C): over 90 minutes for emergency lighting mode
- Charging(0°~45°C): automatic charging, 24 hours to full capacity



THE BATTERY MUST BE RECYCLED OR DISPOSED OFF PROPERLY.

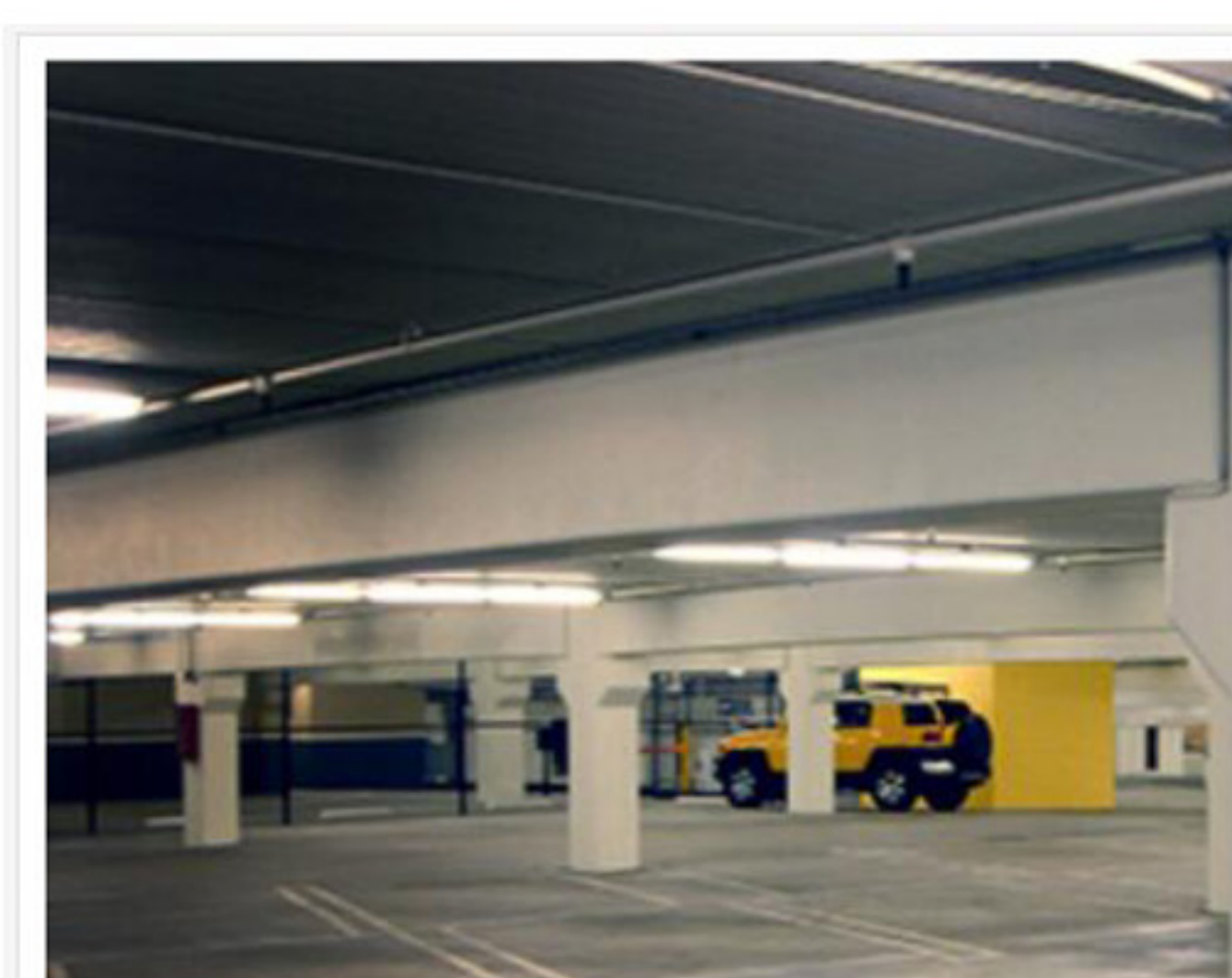
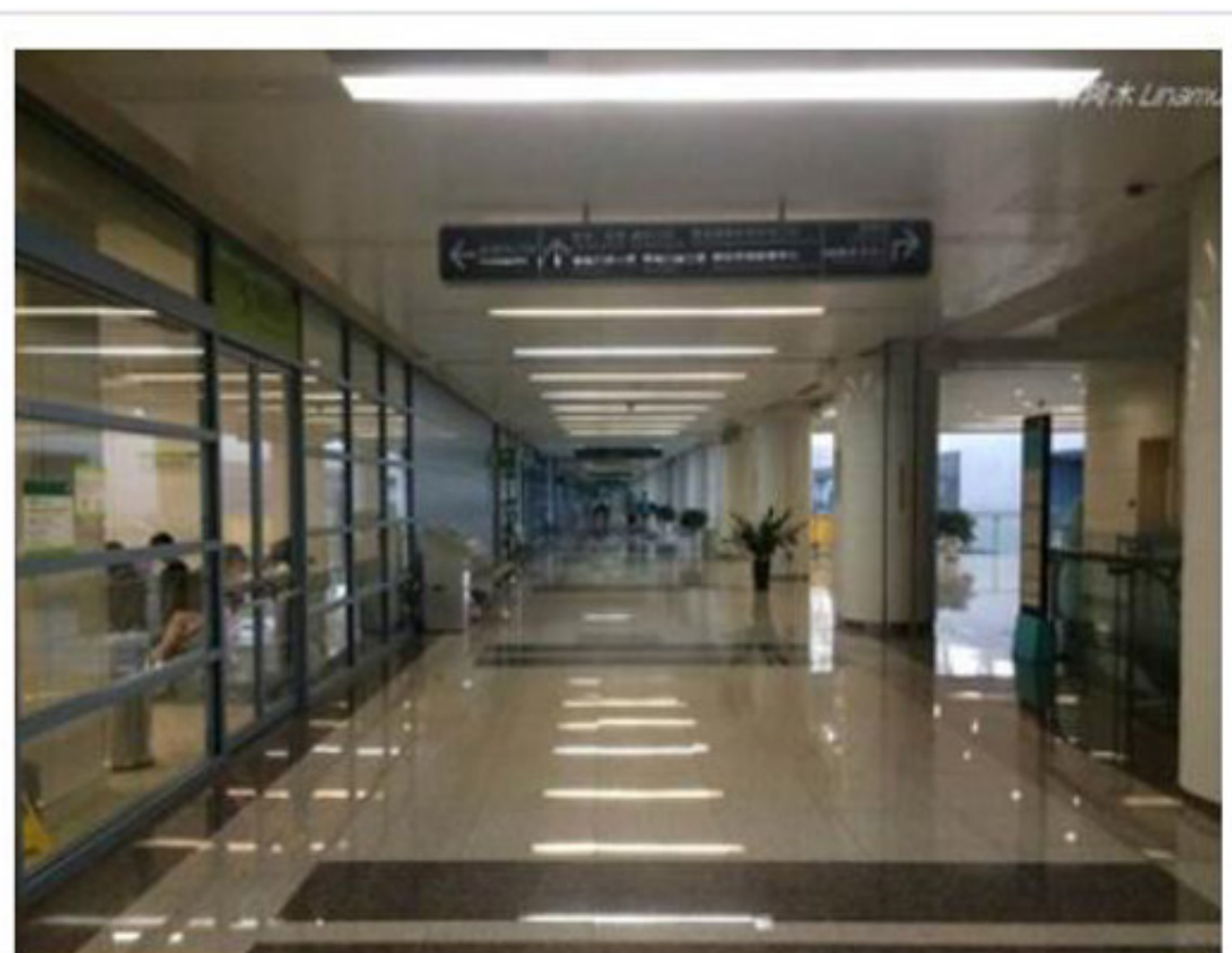
TECHNICAL PARAMETERS

Ordering Code	GLU-EMT-T84FT-W121518		
Rated Watt	12W-15W-18W switchable		
Input Volt	100-277V AC, 50/60Hz		
Light Source	Epistar 2835 SMD LEDs		
Lumen Efficiency	>120 LM/W		
Lumen Output	1,440 LM@12W	1,800 LM@15W	2,160 LM@18W
Color Temperature	3000K-4000K-5000K switchable		
Certifications	UL CSA CE RoHS		
Emergency Lighting Output	680 LM		
Battery Discharging Time	>90 minutes		
Battery charging Time	24 hours		
CRI	>80		
IP Rating	IP62 for indoor lighting		
Power Factor	>0.95		
Warranty	5 years		
Life Span	>50,000 Hrs		
Application	Office lighting/school lighting/hotel lighting/hospital lighting etc.		



LIGHTING APPLICATIONS

- Hospital lighting
- Parking garage lighting
- School lighting



+971 4 887 2049 sales@daly-me.com

www.daly-me.com @daly-middle-east

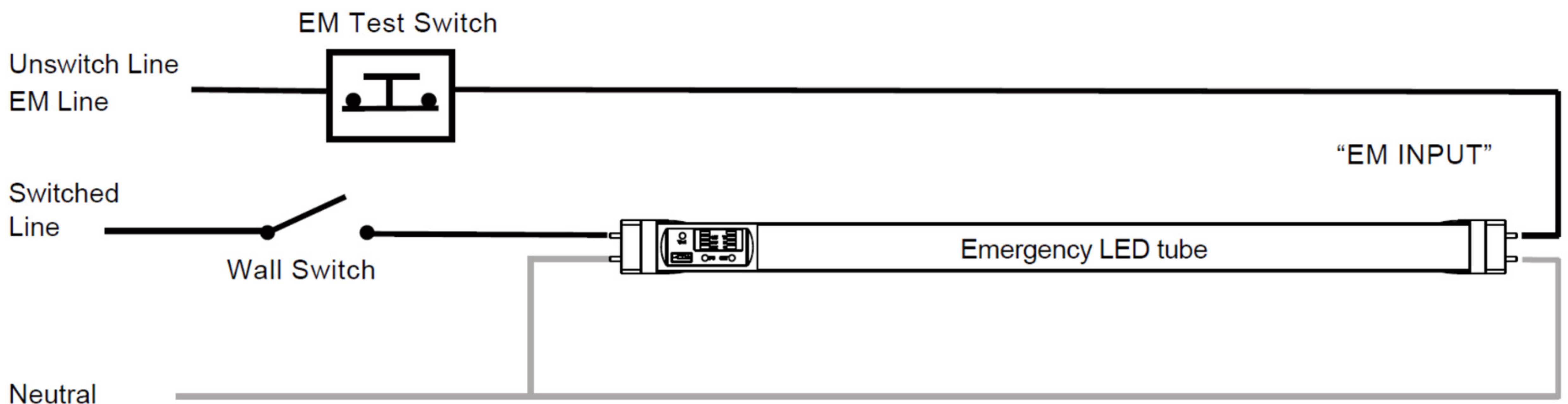
daly
Middle East

WIRING & INSTALLATION:

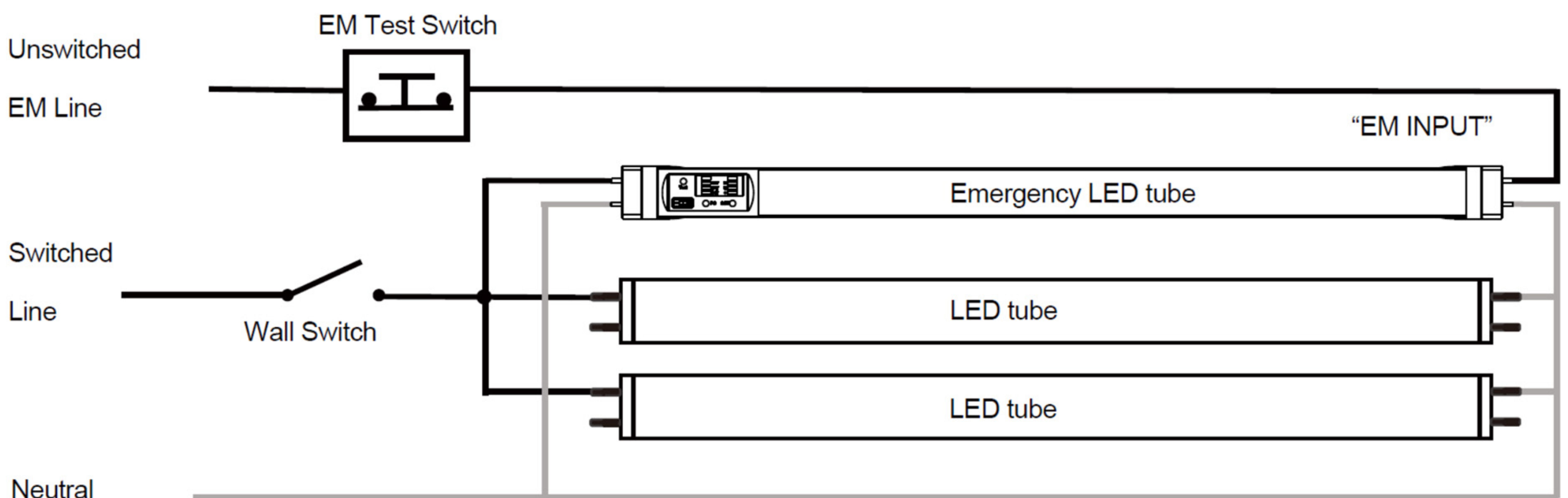
Note: this lamp requires two AC Lines supply. One is switch/on-off line for standard lamp lighting input, and one is non-switch/always-on line for emergency end(EM) input to recharge the battery.

Please make sure the all AC power lines is turned off before rewiring and installation.

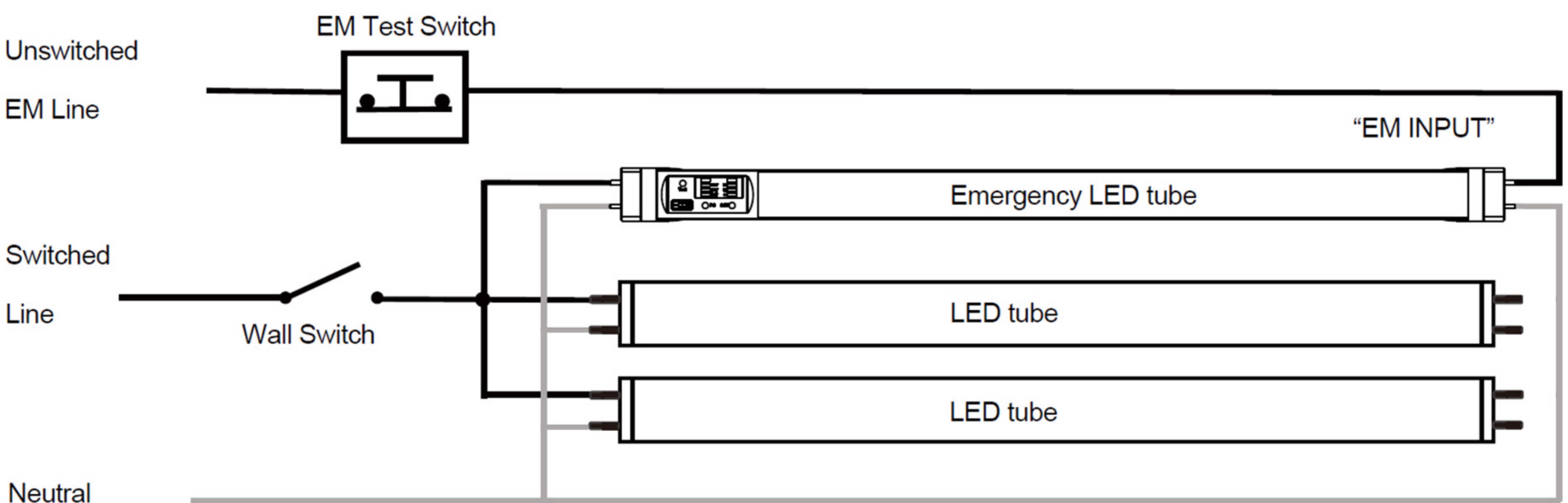
● SINGLE EMERGENCY LED TUBE LAMP WIRING



● EMERGENCY LED TUBE LAMP ALONG WITH STANDARD **DOUBLE END** LED TUBE LAMP WIRING



● EMERGENCY LED TUBE LAMP ALONG WITH STANDARD **SINGLE END** LED TUBE LAMP WIRING



WARNING: RISK OF SHOCK, House electric current can cause painful shock or serious injury unless handled properly.

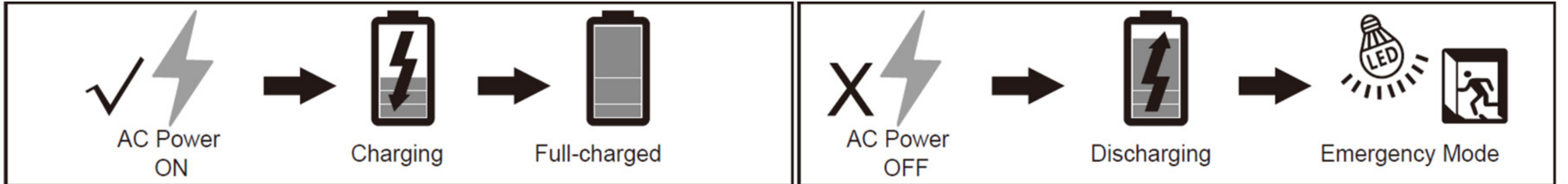
+971 4 887 2049 sales@daly-me.com

www.daly-me.com @daly-middle-east

daly
Middle East

FUNCTION & OPERATION

- When AC power is connected, the AC LED driver will power the LED load at full power output while the emergency battery will be charging and in standby mode.
- When there's a power outage, the lamp will automatically switch to emergency mode, battery will discharge powering the LED load at 680 LM output, lasting over 90 minutes. When the AC power is restored, the lamp will switch to normal lighting mode and battery resumes charging.



Indicator Lights Status:

① Red Light On		Battery Is Charging
② Green Light On		Battery Is Fully Charged, System Is Ok
① Red Light Flashing		Failure
② Green Light Flashing		Self-Testing
①② Both Lights Off		Emergency Lighting Mode

Automatic Routine Test:

This design is built in a control/monitor unit, once enabled, it will automatically perform a 30-second discharge test once a month and a full 90 minute discharge test once a year. During routine testing, it simulates an AC power failure causing the lamp to automatically switch to emergency lighting mode. The unit will monitor the operation of the LED load, battery voltage, and emergency duration. If the emergency system functions properly, the lamp will return to normal lighting mode. Should the unit detect any problems, the indicator light red ① will flash per failure condition, until the condition has been corrected and the lamp passes to the next test.

Manual Test:

When the main power is on, wall switch is off, battery switch is on, conduct manual test as below instructed.

Test Mode	Purpose	Action	Lamp Status	Quit Action
Initial Test	Quick Discharging Test	Press Test Button and Hold	Emergency Lighting On	Release Test Button
Monthly Test	30 Seconds Discharging Test	Press Test Button One Time	Emergency Lighting On For 30s	Press Test Button One More Time
Annual Test	90 Minutes Discharging Test	Press Test Button Two Times Continuously	Emergency Lighting On For 90mins	Press Test Button One More Time

Transportation & Storage:

Please turn off the battery switch for storage and transportation.

Repair & Maintenance:

Repairs and maintenance must be carried out by qualified personnel.

+971 4 887 2049 sales@daly-me.com

www.daly-me.com @daly-middle-east

daly
Middle East



Authorised Distributor

Daly Middle East DWC LLC

☎ +971 4 887 2049
📠 +971 4 887 8184
✉ sales@daly-me.com

Building A3, Floor 1, Office 140, DWC,
P.O. Box 712521, Dubai, UAE

Daly Middle East L.L.C.

☎ +971 4 887 2049
📠 +971 4 887 8184
✉ sales@daly-me.com

Plot 598-353, Haya 2, WH #3, Dubai
Investment Park 1, PO Box 282131, Dubai,
U.A.E.

Partners with offices in Qatar, Oman, Saudi Arabia & UK

DME Trading and Maintenance WLL.

☎ +974 5023 1614
Vipin Venugopalan
✉ sales@daly-me.com

Al Shoumoukh Towers, Office 1041, Tower B, Floor 10,
C-Ring Road, Al Sadd, PO Box 55896, Doha, Qatar

DME Trading and Maintenance Limited

☎ +44 7881 663 047
✉ sales@daly-me.com
David Sheate

Point, 19 Oxford Road, Bournemouth, Dorset,
United Kingdom, BH8 8GS

Bin Moosa Trading and Contracting LLC.

☎ +968 2 411 1807
☎ +968 9393 3601
Mohammed Hanif
✉ sales@daly-me.com

PO Box 1118, PC 1111, Muscat, Sultanate of Oman

Yelma Trading Company

Yelma-Seal
☎ +974 5023 1614
Vipin Venugopalan
✉ sales@daly-me.com

Dhulum, As Sulay, Riyadh 14263, Saudi Arabia