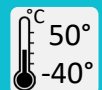


# TECHNICAL SPECIFICATIONS

## Ex GalaLED



### TYPE OF PROTECTION

**Ex db**

**Ex tb**

### ZONE | LEVEL

**1 | Gb**

**21 | Db**

**2 | Gc**

**22 | Dc**

**Gas Group**  
IIA  
IIB  
IIC

**Dust Group**  
IIIA  
IIIB  
IIIC

- Portable and fixed Ex-proof LED light

- LED light source of 180° or 360°

- High color rendering index 80-85

- Easy to manipulate due to low weight

- Excellent thermal management

- High light intensity, no glare

- Individual or daisy chain connection



Ex GalaLED	24V/20W	42V/25W	110V/25W	230V/30W
Order No.	360°- 1002210	360°- 1001654	360°- 1002087	180°- 1001798 360°- 1001797

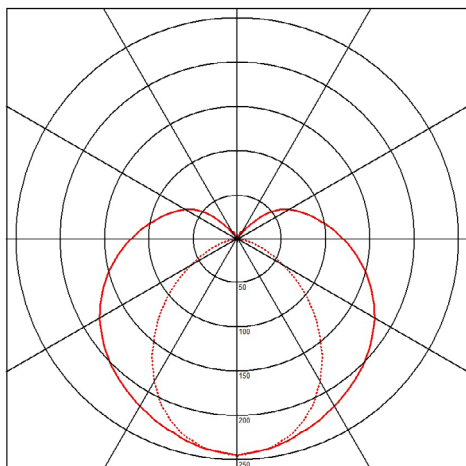
Electrical Characteristics				
Nominal Voltage	24VAC	42VAC	110VAC	230VAC
Operating Voltage	20-30VAC 20-30VDC	38 - 48VAC 38 - 60VDC	90-130VAC 90-130VDC	210 - 250VAC
Total Power	20W	25W	25W	30W
Power Factor	≥0.98 at 24VAC	>0.98 at 42VAC	>0.85 at 110VAC	>0.98 at 230VAC
Operating Temperature	-40°C to +50°C			

Light Technology Characteristics				
Initial Total Lumens	~2300lm	~3000lm		~3500lm
Luminary Efficacy	~115lm/W	~120lm/W		~115lm/W
CCT	~5000K			
CRI	80 - 85			

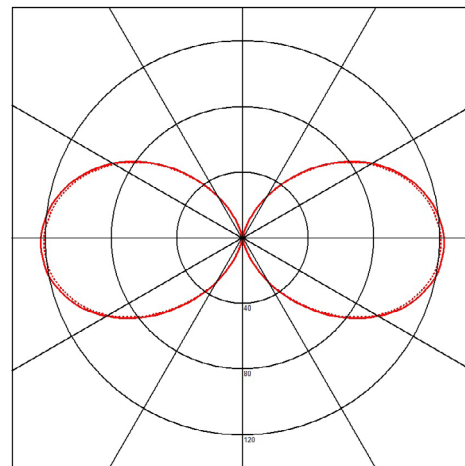
Protection & Construction	
IP and IK Protection	IP66, IP67, IK08
Protections	OVP, OTP
Diffuser	PMMA 2.5mm
Housing	Aluminium alloy powder painted with tempered borosilicate glass tube
Gasket	Silicone gasket
Conecting Terminal	L,N,PE max 3x2.5mm <sup>2</sup> , external PE terminal M5
Fixture Weight	2.3kg (lamp only)
Cable Entry M20x1.5	2x Ex glands or Ex gland and Ex plug
Explosion Protection	II 2G Ex db op is IIC T6 Gb; II 2D Ex tb op is IIIC T85°C Db
Certificate	EXA 16 ATEX 0069X, IECEx EXA 18.0006X
Lifespan(on 25°C)	60 000 hours

# POLAR CURVE

Ex GalaLED 180°

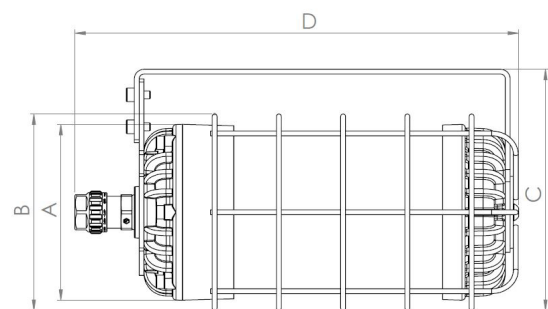


Ex GalaLED 360°

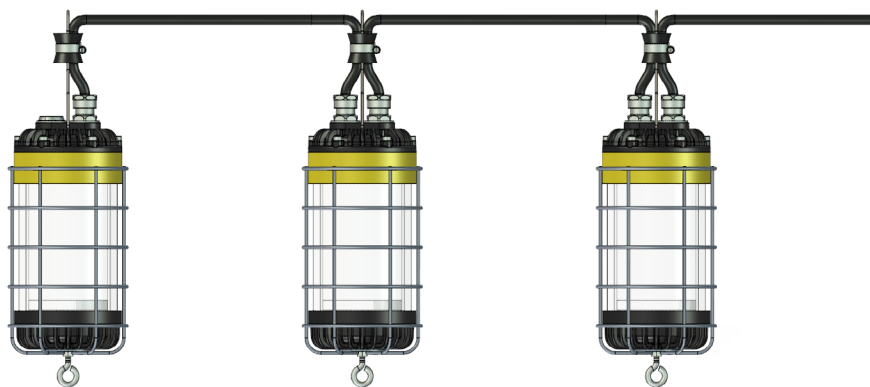


Ex GalaLED model	Available Beam Angle
24V	360°
42V	360°
110V	360°
230V	180° or 360°

## DIMENSIONS, CONNECTION



	Dimension
A	ø110mm
B	ø125mm
C	155mm
D	280mm



▪ smart lamp design allows daisy chain connection

## ACCESSORIES

	<b>Protective Grid</b> 1001795		<b>Mounting Bracket</b> 1001800		<b>Antistatic Protective peel off Foil</b> 1002295
	<b>Vertical Cable Hanging Set</b> 1002294		<b>Horizontal Cable Hanging Set</b> 1001799		<b>Hook Eye Set</b> 1002265
	<b>Ex Gland M20x1.5 ø7-12mm</b> 1001613		<b>Ex Gland M20x1.5 ø10-15mm</b> 1001774		<b>Ex Stopping Plug M20x1.5</b> 1001614