

# MODULAR MAX SERIES

LED LIGHTING FOR HARSH AND HAZARDOUS AREAS  
FLOOD & HIGHBAY



**Reliable. Durable. Efficient.**  
**15,000 to 70,000 lumen models**

**RED SKY**  
SERIOUSLY SAFE LIGHTS™

## ABOUT RED SKY LIGHTING

# PIONEERING INDUSTRIAL ILLUMINATION FOR HARSH & HAZARDOUS CONDITIONS

- A leading manufacturer of premium LED lights for demanding work conditions
- Headquartered in California, products assembled in the USA
- Servicing global clients across 4 continents in metal processing, oil & gas, marine, manufacturing
- Renowned for quality, dependability, client care and uncompromising safety standards



## WHY CHOOSE RED SKY

### ❧ SERIOUSLY SAFE LIGHTS

- Rigorously tested in our professional labs
- Surpassing industry certifications and safety protocols
- Crafted with highest grade components for maximum durability

### ❧ TOP-NOTCH SERVICES

- Team of experts for seamless support
- Energy audit services, lighting simulation services
- Hassle-free return policy and management

### ❧ FAST DELIVERY

- Majority of orders delivered within 14 days
- Same day shipping for products in stock
- Real-time order tracking for full transparency

### ❧ SUSTAINABLE SOLUTIONS

- High luminous efficacy LEDs for energy savings
- Conscious product design
- Recyclable materials for products and packaging



# MODULAR MAX SERIES



The Modular Max Series packs powerful performance with a high lumen output of up to 70,000 lumens and excellent luminous efficacy of up to 180lm/W. This is achieved while maintaining a lightweight and compact design, making it over 25% lighter than comparable C1D2/C2D1 floodlights.

Certified for C1D2/C2D1 hazardous locations, the Modular Max Series withstands even the harshest environments. Its craftsmanship and rigorous testing ensure optimal performance under extreme conditions, maintaining high output from -49°F to +149°F (-45°C to +65°C). An outstanding thermal design and robust quality provide durable operation.

Versatile, intelligent design allows equal use as a floodlight or high bay solution. Unique product structure design simplifies installation and manufacturing. The light housing utilizes recyclable metal alloys, supporting sustainability. Additional accessories reduce light pollution, Red Sky Lighting is committed to responsible, efficient, and eco-friendly solutions. The Modular Max Series delivers unprecedented performance for demanding industrial applications.



## **FEATURES**



- ❧ **Compact and Light-Weight Design**
- ❧ **Offering 15,000-70,000 Lm Wide Range Selection**
- ❧ **Safe and Reliable Heat Transfer, Can Be Performed in High/Low Ambient Temperatures**  
 -49°F to +149°F for 15,000 - 40,000 Lm  
 -49°F to +131°F for 50,000 - 70,000 Lm
- ❧ **Easy Installation**  
 Easy Wiring, More Room for Wiring
- ❧ **Standard: 7 Years**  
**Extended: 10 years**

## **RATINGS**

|                                       |   |
|---------------------------------------|---|
| Class I Division 2, Groups A, B, C, D | UL 1598 Wet Locations                     |
| Class II Division 1 Group E, F, G     | UL 1598A Marine Outside Type (Salt Water) |
| Class II Division 2, Groups F, G      | IP66/67, NEMA 4X                          |
| Class III                             | IK08 (glass lens cover)                   |
| Simultaneous Presence                 | 3G Vibration (ANSI C136.31)               |
| Class I, Zone 2, Group IIC            |   |
| Zone 20, 21 & 22                      |   |

## **CERTIFICATIONS**

UL844  
 UL1598  
 UL1598A  
 CSA C22.2 NO. 250.0  
 CSA C22.2 No. 137  
 DLC (Pending)  
 Dark sky compliance (Pending)

# TECHNICAL PARAMETERS

| Specification                      | MDX-15L   | MDX-20L  | MDX-30L  | MDX-40L  | MDX-50L                          | MDX-60L  | MDX-70L  |
|------------------------------------|---|----------|----------|----------|----------------------------------|----------|----------|
| <b>Electrical Parameters</b>       |   |          |          |          |                                  |          |          |
| Power                              | 90W   | 120W     | 190W     | 260W     | 310W                             | 380W     | 440W     |
| Voltage/Frequency                  | 100-277V AC, 347-480V AC 50/60Hz                      |          |          |          |                                  |          |          |
| Power Factor                       | >90%  |          |          |          |                                  |          |          |
| THD                                | <20%  |          |          |          |                                  |          |          |
| L70                                | 230,000 Hours@149°F                                   |          |          |          |                                  |          |          |
| Dimming                            | 0-10V   |          |          |          |                                  |          |          |
| Surge Protection                   | 10KA  |          |          |          |                                  |          |          |
| Warranty                           | Standard: 7 Years; Extended: 10 years                 |          |          |          |                                  |          |          |
| <b>Optical Parameters</b>          |   |          |          |          |                                  |          |          |
| Lumen Output*                      | 15,965Lm  | 20,460Lm | 31,305Lm | 39,864Lm | 49,486Lm                         | 60,933Lm | 69,987Lm |
| Lumen Efficacy*                    | 180Lm/W   |          |          |          |                                  |          |          |
| Available Beam Angle               | 30° / 60° / 90° / 120° / T2 / T3 / T5                 |          |          |          |                                  |          |          |
| Correlated Color Temperature (CCT) | 2700K / 4000K / 5000K                                 |          |          |          |                                  |          |          |
| Color Rendering Index (CRI)        | Ra>70   |          |          |          |                                  |          |          |
| <b>Mechanical Parameters</b>       |   |          |          |          |                                  |          |          |
| Finish                             | Thermoset Powdercoat                                  |          |          |          |                                  |          |          |
| Hardware                           | Stainless steel 316                                   |          |          |          |                                  |          |          |
| Lens Material                      | Clear Glass   |          |          |          |                                  |          |          |
| Mounting Options                   | Pendant, Straight Yoke, Angled Yoke, Chain, Stanchion |          |          |          |                                  |          |          |
| Product Weight                     | 21.8lbs/9.9kg   |          |          |          | 36.3lbs/16.5kg                   |          |          |
| Cable Entry                        | (5) 3/4" NPT  |          |          |          |                                  |          |          |
| Product Dimensions(L×W×H)          | 14.1×9.8×7.4in (357×250×189 mm)                       |          |          |          | 19.9×14.1×7.4in (505×357×189 mm) |          |          |
| <b>Environmental Parameters</b>    |   |          |          |          |                                  |          |          |
| Ambient Operating Temperature      | -49°F ~ +149°F (-45°C ~ 65°C)                         |          |          |          | -49°F ~ +131°F (-45°C ~ 55°C)    |          |          |
| T-Code Rating                      | CID2 – T3C, C2D1 – T4                                 |          |          |          |                                  |          |          |
| EPA wind rating (FT2)              | 1.753 (Yoke), 1.888 (Stanchion)                       |          |          |          | 2.864 (Yoke), 2.999 (Stanchion)  |          |          |

\* Value calculated based on 5000K and Clear Glass, varies to different spec.

# ORDERING INFORMATION

**EXAMPLE:** MDX-20L-100-277-5K-HAR-120-H2-CG-GRY-AYK

MDX — 20L — 100-277 — 5K — HAR — 120 — H2 — CG — GRY — AYK

**PRODUCT SERIES**

## LUMEN LEVEL

15L - 15,000  
 20L - 20,000  
 30L - 30,000  
 40L - 40,000  
 50L - 50,000  
 60L - 60,000  
 70L - 70,000

## VOLTAGE

100 - 277  
 100-277V AC  
 347 - 480  
 347-480V AC

## CCT

27K - 2700K\*\*  
 4K - 4000K  
 5K - 5000K

## INTERNAL CODE

## MOUNTING

PND - Pendant  
 SYK - Straight Yoke\*  
 AYK - Angled Yoke\*

## COLOR

GRY - Grey

## LENS

CG - Clear Glass

## RATING

H2 - C1D2 / C2D1 / C3  
 HS - UL1598/A\*\*\*

## BEAM

30 - 30° (NEMA 3 - Medium Narrow)  
 60 - 60° (NEMA 4 - Medium)  
 90 - 90° (NEMA 5 - Medium Wide)  
 120 - 120° (NEMA 6 - Wide)  
 T2 - Type II  
 T3 - Type III  
 T5 - Type V (NEMA 7 - Very Wide)

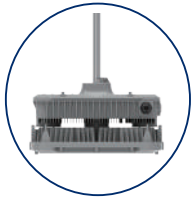
\* YOKE Pre-installed, no need to order YOKE separately.

\*\* Expect longer lead-time.

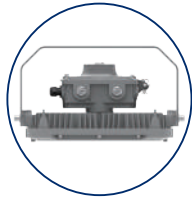
\*\*\* Harsh ver. only: Pre-installed 5 Pin NEMA Socket

Receptacle allows for easy attachment of photocell (purchase separately) or other smart lighting device. Dimming capable at 120-480Vac. Ships with shorting cap.

# MOUNTING ACCESSORIES



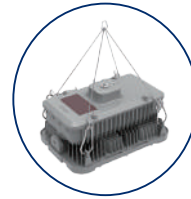
Pendant



Straight Yoke



Angled Yoke



Chain



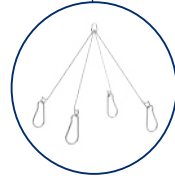
Stanchion



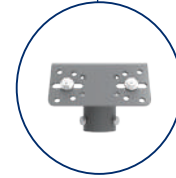
MDX-S YOKE S  
MDX-S YOKE D



MDX-A YOKE S  
MDX-A YOKE D



CHAIN02



STAN01

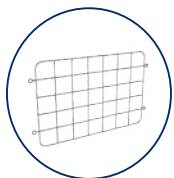
| Mounting Method | PN           | Description  | MPN Code  |
|-----------------|--------------|--|-----------|
| Straight Yoke   | MDX-S YOKE S | Straight YOKE Mount, Stainless Steel, for Single Module                      | 310010114 |
|                 | MDX-S YOKE D | Straight YOKE Mount, Stainless Steel, for Double Module                      | 310010116 |
| Angled Yoke     | MDX-A YOKE S | Angled YOKE Mount, Stainless Steel, for Single Module                        | 310010115 |
|                 | MDX-A YOKE D | Angled YOKE Mount, Stainless Steel, for Double Module                        | 310010117 |
| Chain           | CHAIN02      | CHAIN HANG KIT, Stainless Steel  | 309050358 |
| Stanchion       | STAN02*      | Slip-Fit Stanchion Mount Kit, M25, SS304, Power Coated Grey RAL7037 (φ2.5in) | 309050362 |

\* Requires A Straight Yoke

# OTHER ACCESSORIES



HOOK02



MDX-WG



SFCB01



MDX-VISO

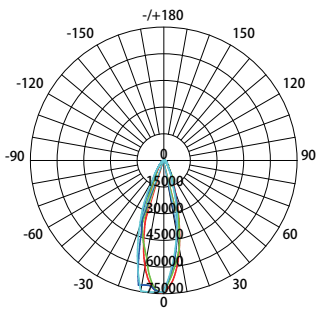
| PN       | Description                                   | MPN Code  |
|----------|---|-----------|
| HOOK02   | M10 Hook with 3/4" NPT (SUS316)               | 309050331 |
| MDX-SWG  | Wire Guard for glass lens, for Single Module  | 309050360 |
| MDX-DWG  | Wire Guard for glass lens, for Double Module  | 309050361 |
| SFCB01   | 3ft Safety Cable Kit, BLK & RDX SERIES, SS304 | 106060018 |
| MDX-VISO | VISOR MOD SERIES                              | 309050359 |
| GLCO-03  | Cord 3ft with gland for C1D2 only             | 204020003 |
| GLCO-10  | Cord 10ft with gland for C1D2 only            | 204020004 |

# LUMEN TABLE

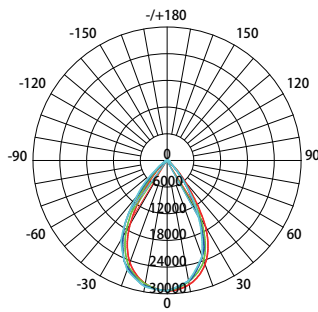
| Part Number                              | Power (W) | CCT   | Beam | Lens        | Lumen Output (Lm) | Efficiency (Lm/W) |
|--|-----------|-------|------|-------------|-------------------|-------------------|
| <b>Voltage 100-277V AC</b>               |           |       |      |             |                   |                   |
| MDX-15L-100-277-5K-HAR-30-H2-CG-GRY-PND  | 90        | 5000K | 30   | Clear Glass | 16,079            | 176               |
| MDX-15L-100-277-5K-HAR-60-H2-CG-GRY-PND  | 90        | 5000K | 60   | Clear Glass | 16,124            | 177               |
| MDX-15L-100-277-5K-HAR-90-H2-CG-GRY-PND  | 90        | 5000K | 90   | Clear Glass | 16,467            | 180               |
| MDX-15L-100-277-5K-HAR-120-H2-CG-GRY-PND | 90        | 5000K | 120  | Clear Glass | 15,965            | 175               |
| MDX-15L-100-277-5K-HAR-T2-H2-CG-GRY-PND  | 90        | 5000K | T2   | Clear Glass | 15,000            | 165               |
| MDX-15L-100-277-5K-HAR-T3-H2-CG-GRY-PND  | 90        | 5000K | T3   | Clear Glass | 15,707            | 172               |
| MDX-15L-100-277-5K-HAR-T5-H2-CG-GRY-PND  | 90        | 5000K | T5   | Clear Glass | 14,384            | 157               |
| MDX-20L-100-277-5K-HAR-30-H2-CG-GRY-PND  | 120       | 5000K | 30   | Clear Glass | 20,632            | 174               |
| MDX-20L-100-277-5K-HAR-60-H2-CG-GRY-PND  | 120       | 5000K | 60   | Clear Glass | 20,585            | 174               |
| MDX-20L-100-277-5K-HAR-90-H2-CG-GRY-PND  | 120       | 5000K | 90   | Clear Glass | 21,037            | 177               |
| MDX-20L-100-277-5K-HAR-120-H2-CG-GRY-PND | 120       | 5000K | 120  | Clear Glass | 20,460            | 173               |
| MDX-20L-100-277-5K-HAR-T2-H2-CG-GRY-PND  | 120       | 5000K | T2   | Clear Glass | 19,149            | 161               |
| MDX-20L-100-277-5K-HAR-T3-H2-CG-GRY-PND  | 120       | 5000K | T3   | Clear Glass | 20,021            | 169               |
| MDX-20L-100-277-5K-HAR-T5-H2-CG-GRY-PND  | 120       | 5000K | T5   | Clear Glass | 18,244            | 154               |
| MDX-30L-100-277-5K-HAR-30-H2-CG-GRY-PND  | 190       | 5000K | 30   | Clear Glass | 31,463            | 166               |
| MDX-30L-100-277-5K-HAR-60-H2-CG-GRY-PND  | 190       | 5000K | 60   | Clear Glass | 31,586            | 166               |
| MDX-30L-100-277-5K-HAR-90-H2-CG-GRY-PND  | 190       | 5000K | 90   | Clear Glass | 32,082            | 169               |
| MDX-30L-100-277-5K-HAR-120-H2-CG-GRY-PND | 190       | 5000K | 120  | Clear Glass | 31,305            | 165               |
| MDX-30L-100-277-5K-HAR-T2-H2-CG-GRY-PND  | 190       | 5000K | T2   | Clear Glass | 29,275            | 154               |
| MDX-30L-100-277-5K-HAR-T3-H2-CG-GRY-PND  | 190       | 5000K | T3   | Clear Glass | 30,617            | 161               |
| MDX-30L-100-277-5K-HAR-T5-H2-CG-GRY-PND  | 190       | 5000K | T5   | Clear Glass | 27,970            | 147               |
| MDX-40L-100-277-5K-HAR-30-H2-CG-GRY-PND  | 260       | 5000K | 30   | Clear Glass | 39,904            | 159               |
| MDX-40L-100-277-5K-HAR-60-H2-CG-GRY-PND  | 260       | 5000K | 60   | Clear Glass | 40,085            | 160               |
| MDX-40L-100-277-5K-HAR-90-H2-CG-GRY-PND  | 260       | 5000K | 90   | Clear Glass | 40,632            | 162               |
| MDX-40L-100-277-5K-HAR-120-H2-CG-GRY-PND | 260       | 5000K | 120  | Clear Glass | 39,864            | 159               |
| MDX-40L-100-277-5K-HAR-T2-H2-CG-GRY-PND  | 260       | 5000K | T2   | Clear Glass | 38,008            | 147               |
| MDX-40L-100-277-5K-HAR-T3-H2-CG-GRY-PND  | 260       | 5000K | T3   | Clear Glass | 39,521            | 153               |
| MDX-40L-100-277-5K-HAR-T5-H2-CG-GRY-PND  | 260       | 5000K | T5   | Clear Glass | 36,295            | 141               |
| MDX-50L-100-277-5K-HAR-30-H2-CG-GRY-PND  | 310       | 5000K | 30   | Clear Glass | 50,142            | 176               |
| MDX-50L-100-277-5K-HAR-60-H2-CG-GRY-PND  | 310       | 5000K | 60   | Clear Glass | 49,712            | 174               |
| MDX-50L-100-277-5K-HAR-90-H2-CG-GRY-PND  | 310       | 5000K | 90   | Clear Glass | 50,554            | 177               |
| MDX-50L-100-277-5K-HAR-120-H2-CG-GRY-PND | 310       | 5000K | 120  | Clear Glass | 49,486            | 173               |
| MDX-50L-100-277-5K-HAR-T2-H2-CG-GRY-PND  | 310       | 5000K | T2   | Clear Glass | 46,072            | 162               |
| MDX-50L-100-277-5K-HAR-T3-H2-CG-GRY-PND  | 310       | 5000K | T3   | Clear Glass | 48,348            | 170               |
| MDX-50L-100-277-5K-HAR-T5-H2-CG-GRY-PND  | 310       | 5000K | T5   | Clear Glass | 44,020            | 154               |
| MDX-60L-100-277-5K-HAR-30-H2-CG-GRY-PND  | 380       | 5000K | 30   | Clear Glass | 62,368            | 176               |
| MDX-60L-100-277-5K-HAR-60-H2-CG-GRY-PND  | 380       | 5000K | 60   | Clear Glass | 61,877            | 176               |
| MDX-60L-100-277-5K-HAR-90-H2-CG-GRY-PND  | 380       | 5000K | 90   | Clear Glass | 62,902            | 179               |
| MDX-60L-100-277-5K-HAR-120-H2-CG-GRY-PND | 380       | 5000K | 120  | Clear Glass | 60,933            | 172               |
| MDX-60L-100-277-5K-HAR-T2-H2-CG-GRY-PND  | 380       | 5000K | T2   | Clear Glass | 56,637            | 161               |
| MDX-60L-100-277-5K-HAR-T3-H2-CG-GRY-PND  | 380       | 5000K | T3   | Clear Glass | 59,504            | 169               |
| MDX-60L-100-277-5K-HAR-T5-H2-CG-GRY-PND  | 380       | 5000K | T5   | Clear Glass | 54,596            | 155               |
| MDX-70L-100-277-5K-HAR-30-H2-CG-GRY-PND  | 440       | 5000K | 30   | Clear Glass | 71,035            | 172               |
| MDX-70L-100-277-5K-HAR-60-H2-CG-GRY-PND  | 440       | 5000K | 60   | Clear Glass | 70,889            | 172               |
| MDX-70L-100-277-5K-HAR-90-H2-CG-GRY-PND  | 440       | 5000K | 90   | Clear Glass | 72,190            | 175               |
| MDX-70L-100-277-5K-HAR-120-H2-CG-GRY-PND | 440       | 5000K | 120  | Clear Glass | 69,987            | 170               |
| MDX-70L-100-277-5K-HAR-T2-H2-CG-GRY-PND  | 440       | 5000K | T2   | Clear Glass | 65,473            | 159               |
| MDX-70L-100-277-5K-HAR-T3-H2-CG-GRY-PND  | 440       | 5000K | T3   | Clear Glass | 68,076            | 165               |
| MDX-70L-100-277-5K-HAR-T5-H2-CG-GRY-PND  | 440       | 5000K | T5   | Clear Glass | 62,659            | 152               |



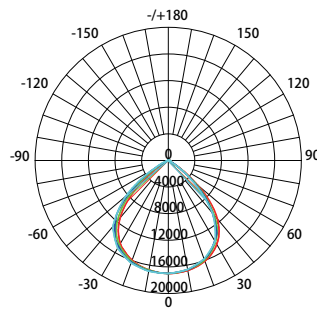
# PHOTOMETRIC



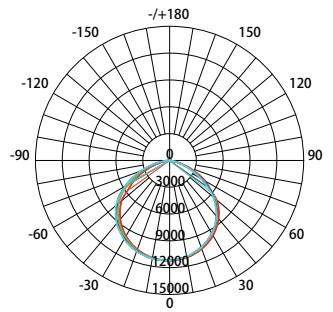
**30°**  
NEMA 3 - Medium Narrow



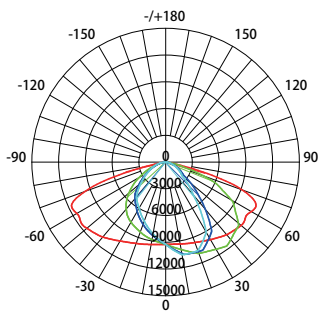
**60°**  
NEMA 4 - Medium



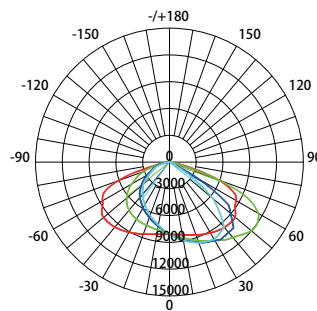
**90°**  
NEMA 5 - Medium Wide



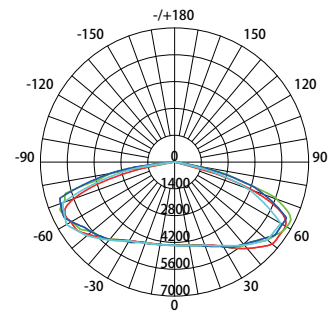
**120°**  
NEMA 6 - Wide



**Type II**



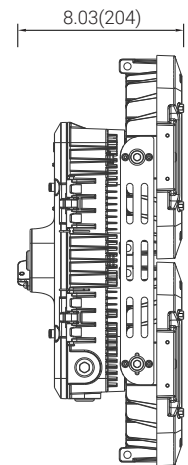
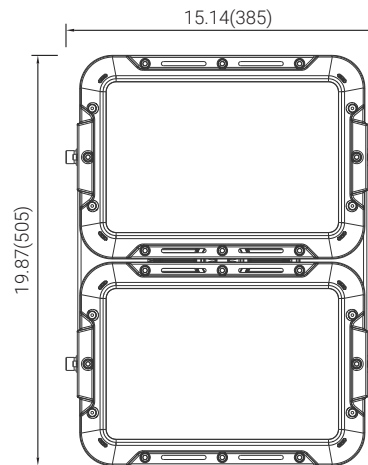
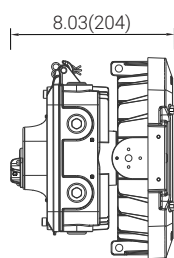
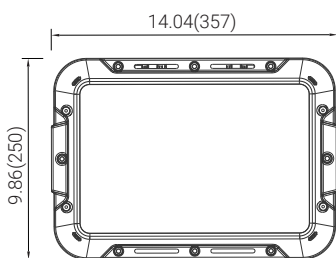
**Type III**



**Type V**  
NEMA 7 - Very Wide

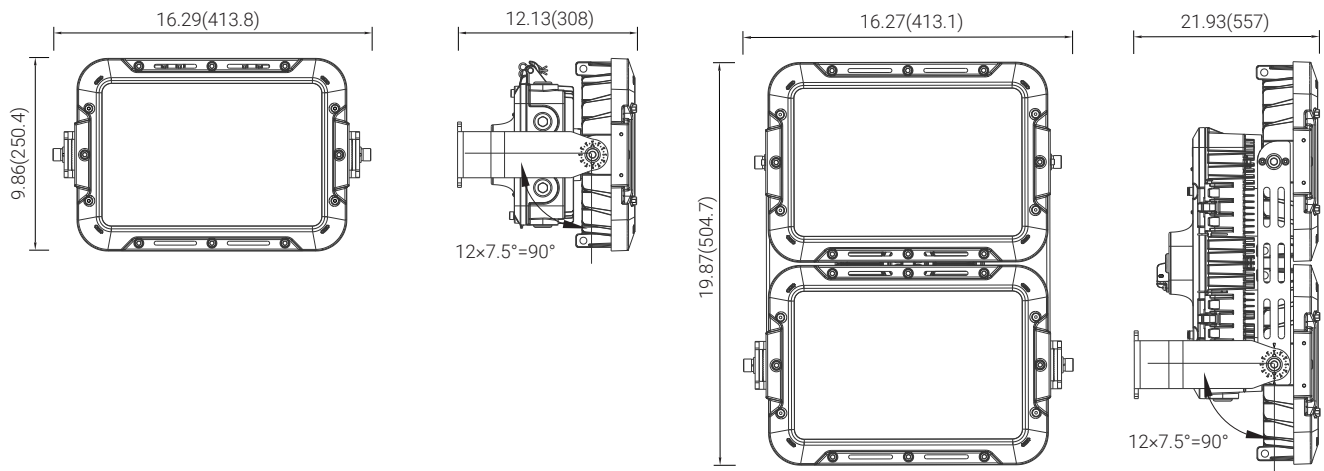
# DIMENSIONS

unit: in(mm)

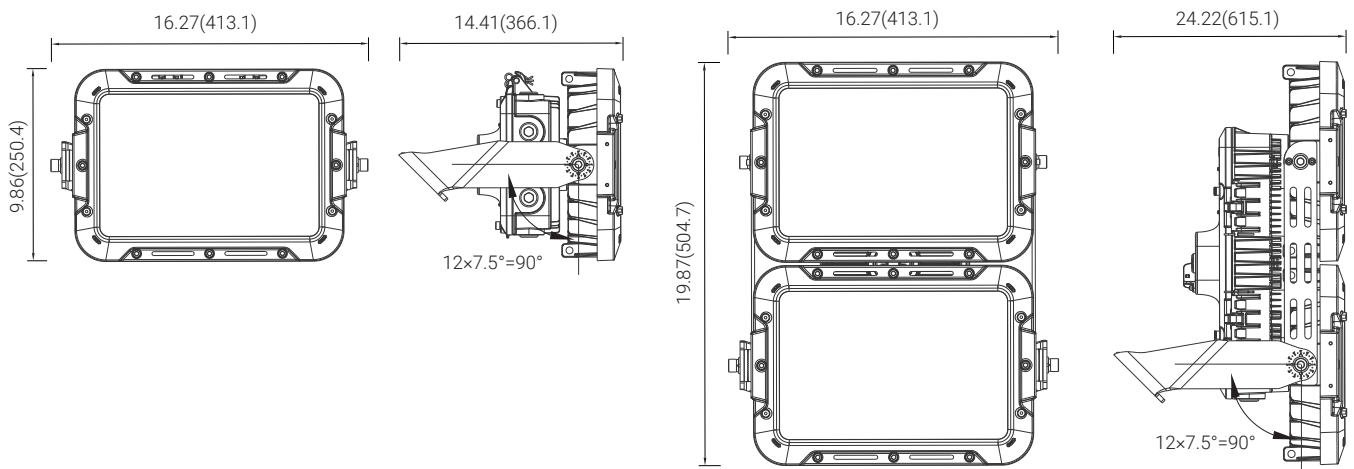


Pendant

unit: in(mm)

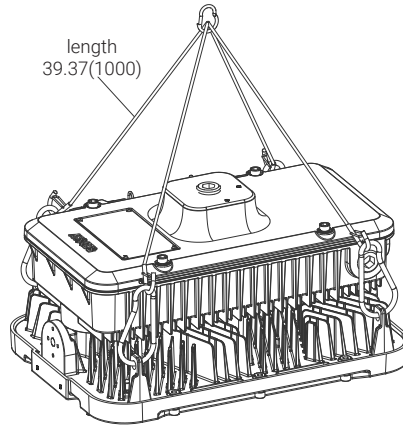


**Straight Yoke**

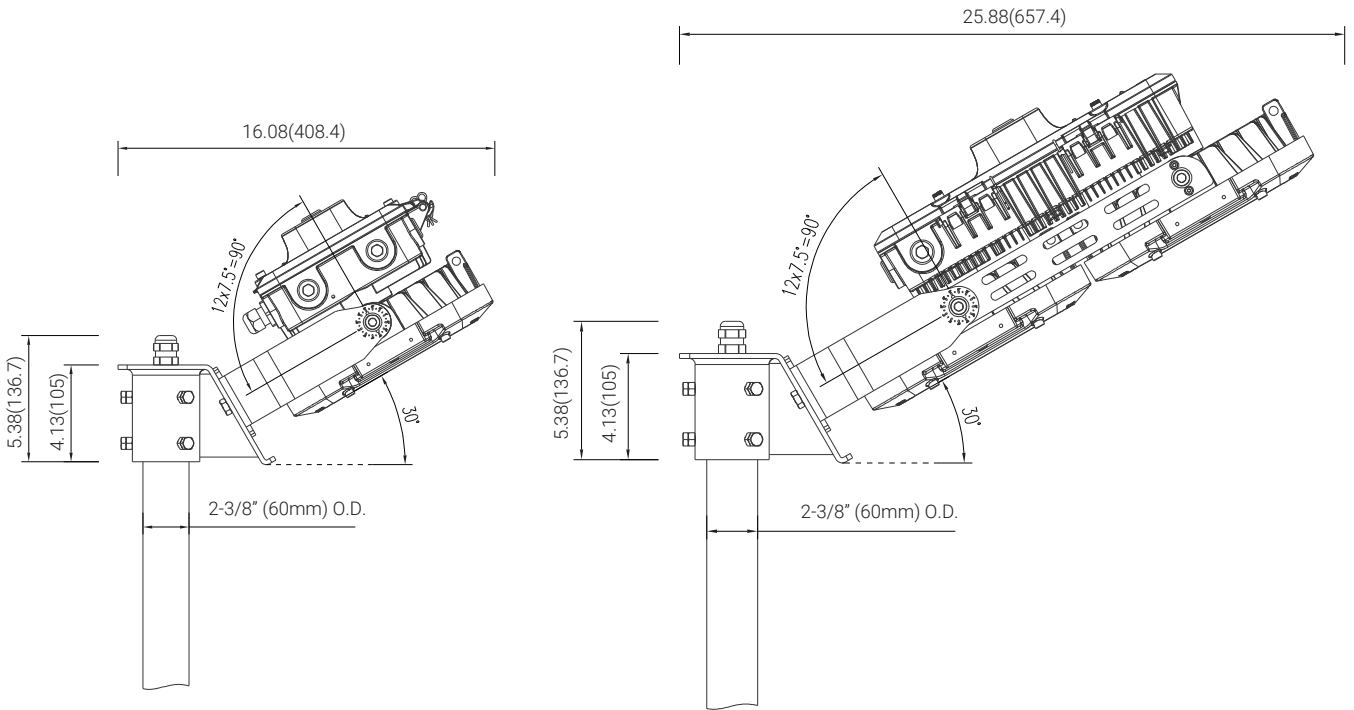


**Angled Yoke**

unit: in(mm)



Chain



Stanchion

# HAZARDOUS LOCATION LIGHTING BASICS

## Atmosphere Groups

## Temperature Classification

| Substance  | Hazard Class                     | Division Groups      | Zone Groups       | Max. Surface Temperatures | NEC® 500 CEC® | NEC® 500/IEC-Group II |
|--|----------------------------------|----------------------|-------------------|---------------------------|---------------|-----------------------|
| Acetylene  | Class I<br>Flammable<br>Gases    | Group A              | IIC               | 450(842)                  | T1            | T1                    |
| Hydrogen   |                                  | Group B              | IIC               | 300(572)                  | T2            |                       |
| Ethylene   |                                  | Group C              | IIB               | 280(536)                  | T2A           | T2                    |
| Propane  |                                  | Group D              | IIA               | 260(500)                  | T2B           |                       |
| Methane  |                                  | Group D              | IIA <sup>2</sup>  | 230(446)                  | T2C           |                       |
| Combustible Metal Dusts  | Class II<br>Combustible<br>Dusts | Group E <sup>1</sup> | IIIC <sup>3</sup> | 215(419)                  | T2D           | T3                    |
| Combustible Carbonaceous Dust  |                                  | Group F              | IIIB <sup>3</sup> | 200(392)                  | T3            |                       |
| Combustible Dusts not in Group E or F<br>(Flour, Grain, Wood, Plastics, Chemicals) |                                  | Group G              | IIIB <sup>3</sup> | 180(256)                  | T3A           |                       |
| Combustible Fibers and Flyings   |                                  | Not Applicable       | IIIA <sup>3</sup> | 165(329)                  | T3B           |                       |
|  |                                  |                      |                   | 160(320)                  | T3C           | T4                    |
|  |                                  |                      |                   | 135(275)                  | T4            |                       |
|  |                                  |                      |                   | 120(248)                  | T4A           | T4                    |
|  |                                  |                      |                   | 100(212)                  | T5            | T5                    |
|  |                                  |                      |                   | 85(185)                   | T6            | T6                    |

Note 1: Group E is applicable to Class II, Division 1 only.  
 Note 2: Methane is a Group IIA Gas for non-mining applications.  
 Note 3: Group IIIA, IIIB and IIIC have not been adopted by the Canadian Electrical Code.

## Classification of Divisions and Zones

| Hazard Level                     | Division Scheme | Zone Scheme      | Definitions  |
|----------------------------------|-----------------|------------------|--|
| Continuous Hazard                | Division 1      | Zone 0 / Zone 20 | A place in which an explosive atmosphere is continually present  |
| Intermittent Hazard              |                 | Zone 1 / Zone 21 | A place in which an explosive atmosphere is likely to occur in normal operation                                      |
| Hazard Under Abnormal Conditions | Division 2      | Zone 2 / Zone 22 | A place in which an explosive atmosphere is not likely to occur in normal operation, but may occur for short periods |

## IP Codes

| 1st No. | Solid Objects                          |
|---------|--|
| 0       | No protection                          |
| 1       | Objects greater than 50mm              |
| 2       | Objects greater than 12.5mm            |
| 3       | Objects greater than 2.5mm             |
| 4       | Objects greater than 1mm               |
| 5       | Dust protected                         |
| 6       | Dust proof                             |
| 2nd No. | Liquids                                |
| 0       | No protection                          |
| 1       | Vertically dripping                    |
| 2       | Dripping up to 15°                     |
| 3       | Limited spraying                       |
| 4       | Splashing from all directions          |
| 5       | Hosing jets from all directions        |
| 6       | Strong hosing jets from all directions |
| 7       | Temporary immersion                    |
| 8       | Continuous immersion                   |
| 9       | Steam-jet cleaning                     |

## IK Ratings

| IK Code | Level of Protection Achieved         |
|---------|--------------------------------------|
| IK00    | Not protected                        |
| IK01    | Protected against 0.14 joules impact |
| IK02    | Protected against 0.2 joules impact  |
| IK03    | Protected against 0.35 joules impact |
| IK04    | Protected against 0.5 joules impact  |
| IK05    | Protected against 0.7 joules impact  |
| IK06    | Protected against 1 joules impact    |
| IK07    | Protected against 2 joules impact    |
| IK08    | Protected against 5 joules impact    |
| IK09    | Protected against 10 joules impact   |
| IK10    | Protected against 20 joules impact   |

# RED SKY

## SERIOUSLY SAFE LIGHTS™

### AUTHORISED DISTRIBUTOR

# daly

Middle East

### Partner under the UK, Qatar and Oman

#### Daly Middle East L.L.C.

☎ +971 4 887 2049

📠 +971 4 887 8184

✉ sales@daly-me.com

Plot 597-952, WH #3, Kamala Trading Compound,  
Dubai Investment Park 2, PO Box 282131, Dubai,  
U.A.E.

#### DME Trading and Maintenance WLL.

☎ +974 5023 1614

Vipin Venugopalan

✉ sales@daly-me.com

Al Shoumoukh Towers, Office 1041, Tower B, Floor  
10, C-Ring Road, Al Sadd, PO Box 55896, Doha,  
Qatar

#### Bin Moosa Trading and Contracting LLC.

☎ +968 2 411 1807

📠 +968 2 411 1889

☎ +968 9393 3601

Mohammed Hanif

✉ sales@daly-me.com

PO Box 1118, PC 1111,

Muscat, Sultanate of Oman

#### DME Trading and Maintenance Limited

✉ sales@daly-me.com

Point, 19 Oxford Road, Bournemouth,  
Dorset, United Kingdom, BH8 8GS

### Daly Middle East DWC LLC

Building A3, Floor 1, Office 140, DWC, Dubai P.O. Box 712521

☎ +971 4 887 2049

✉ sales@daly-me.com

🌐 www.daly-me.com

🌐 @daly-middle-east