



URBAN SX

LED lighting, Road lighting

LED road lighting provides a longer product service life, reduced power absorption and energy efficiency improvements compared to traditional lighting.

The SX model is ideal for surfaces and areas where a light fitting with moderate luminous flux is required. With its compact design, the SX model provides efficient lighting with minimal energy consumption. It is a great choice for cities and less populated areas, providing reliable and energy-efficient public lighting.



Light features

Luminous flux	1800 – 5700 lm
Colour Temperature (CCT)	3000 K (2200/2700/4000 K optional)
Luminaire efficiency	104 - 132 lm/W
Colour rendering index (CRI)	> 70, (80 optional)
Cover protection	Flat tempered glass
Glass thickness	5 mm
Lifetime L90B10	> 100.000 h
SDCM (McAdam)	< 5
ULOR	0% (full cutoff)
UV radiation	0%
Time of heating	< 0,5 s
Lens type	Individual asymmetric

Certificates, Standards

CE mark	Yes
ENEC license	Yes
ENEC+ license	Yes
EMC certificate	Yes
LVD certificate	Yes
ENV certificate	Yes
Mech. Impact protection code	IK 09
Ingress protection code	IP 66
Vibrations certificate	Yes
Salt mist certificate	Yes
RoHS compliant	Yes
Warranty	6 years
Possible extended warranty	Yes

Electrical features

Voltage	220-240 V AC
Frequency	50-60 Hz
Power factor	> 0,95
Electrical class	Class I, Class II
Ambient temperature	- 35 ° C + 55 ° C
Surge protection kV (options)	CM - 10 kV DM - 10 kV
Zhaga (Zhaga book 18)	Yes

Controls

Autonomously control	AstroDim
Luminous flux control	DALI-2
Range of control	10 - 100 %
Dim-to-off	Yes
Built-in CLO system (optional)	Yes
Wireless programming	NFC

Mechanical features

Housing	Die-cast aluminium
Corrosion protection	Electrostatic coating powder/paint
Cooling system	Passive- inside radiator outside straight heat dissipater
Outer surface	Slightly inclined to achieve self-cleaning effect
Safety seitch	Yes
Pressure equalization vent	Yes
Buckles, breeches and screws material	Inox
Optic	PMMA
Colour	Grey (RAL 7046 + RAL 9003)
Opening the housing without tools	Yes
Gasket	Silicone
Max. wind load area	SX (0,039 m ²)



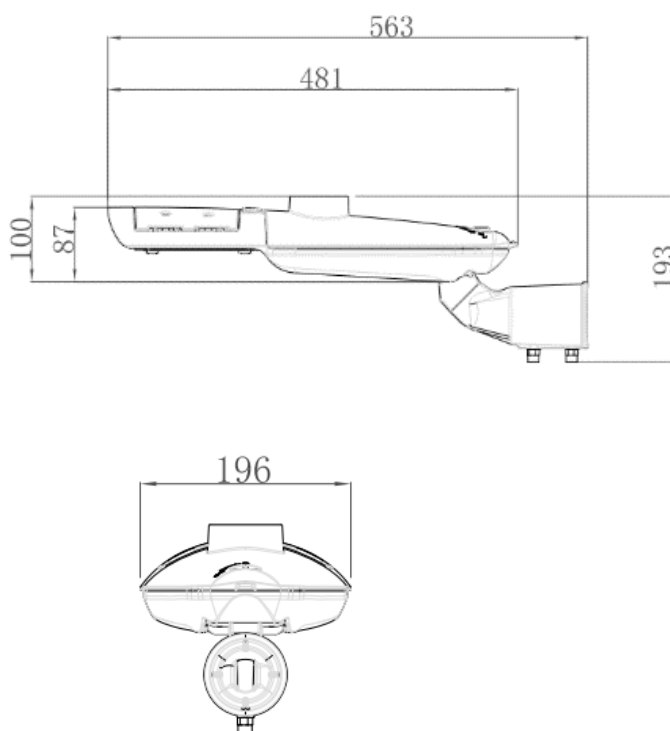
Other characteristics

Model	Input power (W)	Luminous flux (lm)	Efficacy (lm/W)	CCT	CRI/Ra
Urban SX	10 - 45	1800 - 5700	104 - 132	3000	>70

Dimensions

Model	Width (mm)	Length (mm)	Height (mm)	Base diameter (mm)	Mass (kg)
Urban SX	196	481	87	48,60	3,3

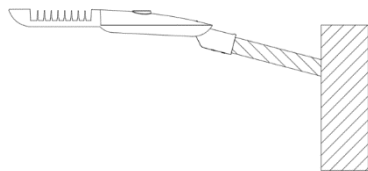
Urban SX



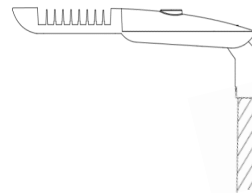
Connecting and disconnecting the lamp and all of its part **MUST BE** done in non-voltage state.

Mounting instruction

1. From neck of the lamp comes the power cable, where are:
 - L – brown
 - N – blue
 - Grounding (GND) – yellow green
2. Dovedite spojni kabel NN mreže do vrata svjetiljke. Ukoliko se koristi dodatni nosač (krak), provucite kabel kroz nosač (krak). Svjetiljka se spaja direktno na mrežu sa isporučenim kabelom 3x1 mm² (gumeni) ili preko spojnog konektora WAGO 294-5013. Kabel se na mrežu, izvedenu sa samonosivim kabelskim snopom, spaja na jednu fazu (jedan vodič mreže javne rasvjete L1-L2 ili L1-L3 ili L2-L3) i to naizmjenično na dva fazna vodiča predviđenih za napajanje javne rasvjete. Za manipulaciju je predviđen natikač +utikač. N- vodič koristi se za konzumne mreže. Za mrežu izvedenu sa pet golih vodiča kabel se spaja na vodič javne rasvjete i zajednički N- vodič konzumne mreže i mreže javne rasvjete.
3. Pomoću rednih stezaljki pravilno spojite žice faze (L), nule (N) i uzemljenja (GND). Radne stezaljke se ne isporučuju u kompletu sa svjetiljkom.
4. Prilikom montaže svjetiljke dodatno provjeriti da li je zaštitni poklopac Zhaga utičnice pravilno pričvršćen.
5. Svjetiljku pričvrstite/montirate na stup ili nosač (krak) stezanjem vijaka koji se nalaze na vratu svjetiljke (2xM8 vijci).
6. Svjetiljka se postavlja izravno na stup (na vrh) ili nosač (krak), u poziciju kao što je prikazana na slikama.

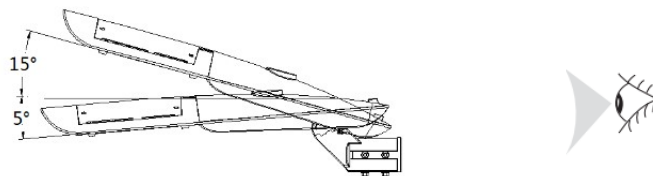


Montaža na nosač (krak)

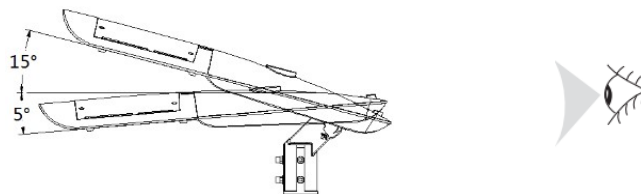


Montaža na stup

7. U slučaju potrebe, promijeniti nagib svjetiljke na stupu ili nosaču (kraku) regulacijom vrata svjetiljke (u rasponu od -5° do +15°, za montažu na kraku (u rasponu od -5°do + 15°)



-5°, 0°, 5°, 10°, 15°

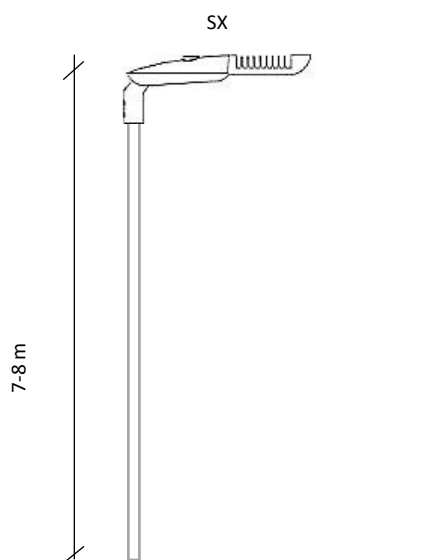


-5°, 0°, 5°, 10°, 15°

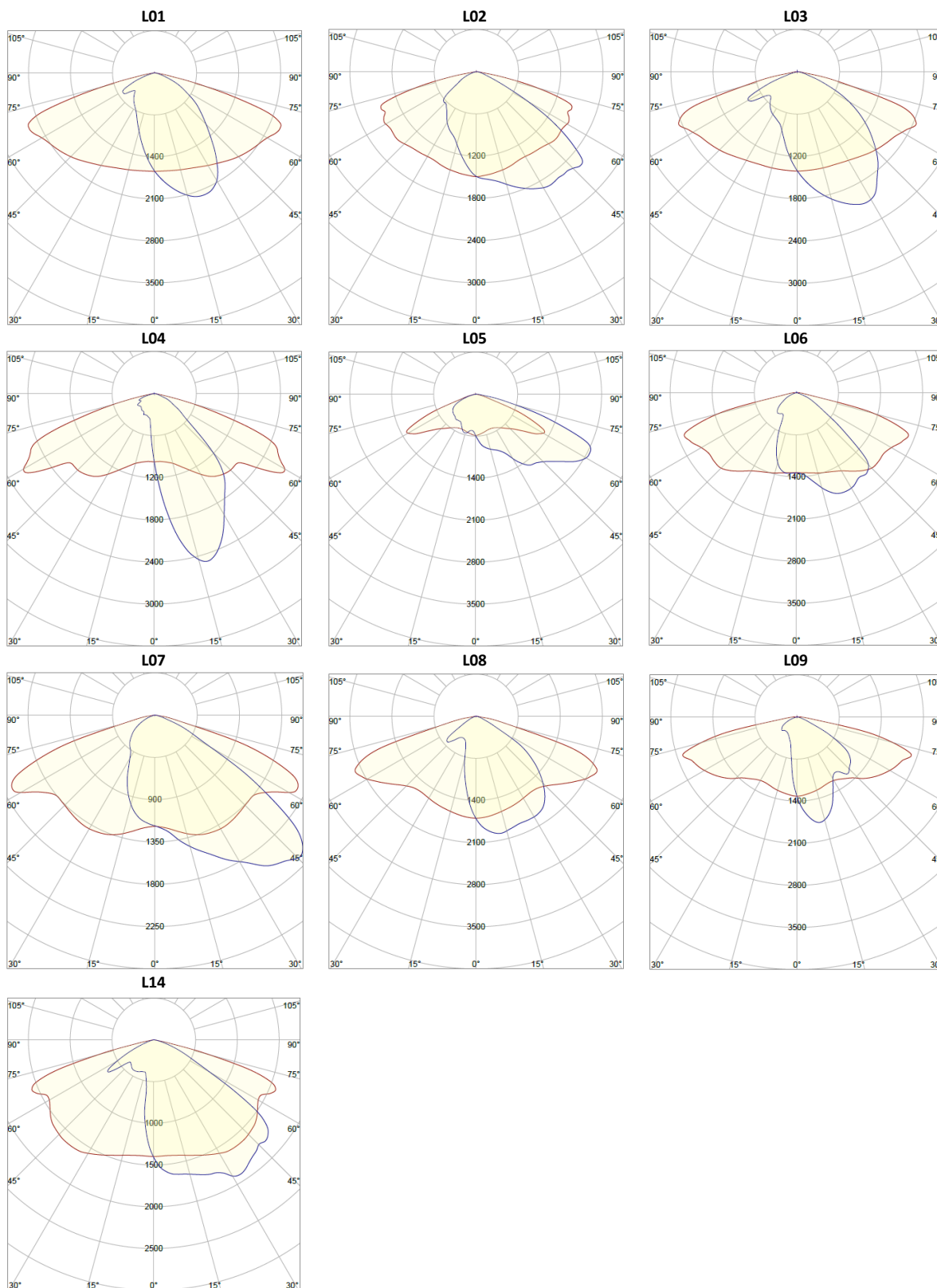
URBAN SX



	Optimalna visina montaže (m)
Model SX	7 – 8



TYPICAL LIGHT DISTRIBUTIONS



Light fitting maintenance

The light fitting is modular so that in the event of malfunction of individual parts, the replacement can be done without dismantling the entire light fitting from the mast or bracket (arm).

For this purpose, the light fitting is designed in such a way that it is possible to open the housing without using tools. If maintenance is carried out without dismantling, the light fitting must not be opened during bad weather to avoid condensation of moisture inside the light fitting.

Before closing the protective cover, the interior of the light fitting should be wiped with a dry soft cloth. In doing so, it is necessary to check the condition of the protective cover gasket and replace it if damaged.

Installation and maintenance

The light fittings may only be installed/dismantled by qualified persons authorised by the manufacturer.

In the event that the installation/dismantling is carried out by an unauthorised person, the light fitting warranty is lost.

The standard light fitting warranty is 6 years unless otherwise indicated.

The light fittings may only be serviced by the manufacturer or by an authorised repairer.

The light source located inside the luminaire may only be serviced by the manufacturer, an authorised repairer or another qualified person authorised by the manufacturer.

Torque in Nm applied to any screw fixing the light fitting to the mast: 3Nm.

Manufacturer and authorised repairer

M SAN Grupa d.o.o.
Dugoselska ulica 5, 10 372 Rugvica
Tel.+385 (0) 1 3654 900
Fax.+385 (0) 1 3654 926

www.mslux.eu
e-mail: mslux_info@msan.hr



URBAN SX