



URBAN MX

A blend of classic design and modern technology

LIGHT WITH STYLE: MS LUX AMBIENT LIGHTING

The high-tech product with built-in optical technology is designed for a variety of applications on public roads, including bicycle paths and roadways. This outstanding adaptability is achieved through three different structural sizes, designated as SX, MX, and LX, each providing different luminous fluxes and multiple light distribution options.



Light characteristics

Luminous flux	5700 -12800lm
Colour temperature (CCT)	3000 K (2200/2700/4000 K option)
Luminous efficacy	101 – 136lm/W
Colour rendering index (CRI)	> 70, (80 option)
Protective cover	Flat tempered glass
Glass thickness	5mm
LED lifetime L90B10	> 100,000h
SDCM (McAdam)	< 5
ULOR	0% (full cutoff)
UV radiation	0%
Warm-up time	< 0.5s
Lens type	Individual asymmetric

Certificates, Standards

CE marking	Yes
ENEC license	Yes
ENEC+ license	Yes
EMC certificate	Yes
LVD certificate	Yes
ENV certificate	Yes
Impact resistance	IK 09
Resistance to water and dust penetration	IP 66
Vibration certificate	Yes
Salt mist certificate	Yes
RoHS	Yes
Warranty	6 years
Possibility of extending warranty	Yes

Electrical characteristics

Input voltage	220-240V AC
Operating frequency	50-60Hz
Power factor	> 0.95
Electrical protection class	Class I, Class II
Ambient temperature	-35°C +55°C
Overvoltage protection (kV) options	CM – 10kV DM – 10kV
Zhaga (from Zhaga Book 18)	Yes

Control

Autonomous control	AstroDim
Luminous flux control	DALI-2
Control range	10 - 100%
Dim-to-off	Yes
Built-in CLO system (option)	Yes
Wireless driver programming	NFC

Mechanical characteristics

Housing material	Die-cast aluminium
Corrosion protection	Electrostatic coating powder/paint
Cooling system	Passive-internal radiator, External flat heat dissipator
Outer surface	Slightly inclined to achieve self-cleaning effect
Power off switch	Yes
Pressure equalization vent	Yes
Clips, fasteners, screws material	Inox
Lens material	PMMA
Colour	Grey (RAL 7046 + RAL 9003)
Opening the housing without tools	Yes
Light fitting housing gaskets	Silicone
Max. surface exposed to wind	MX (0.051m ²)



URBAN MX



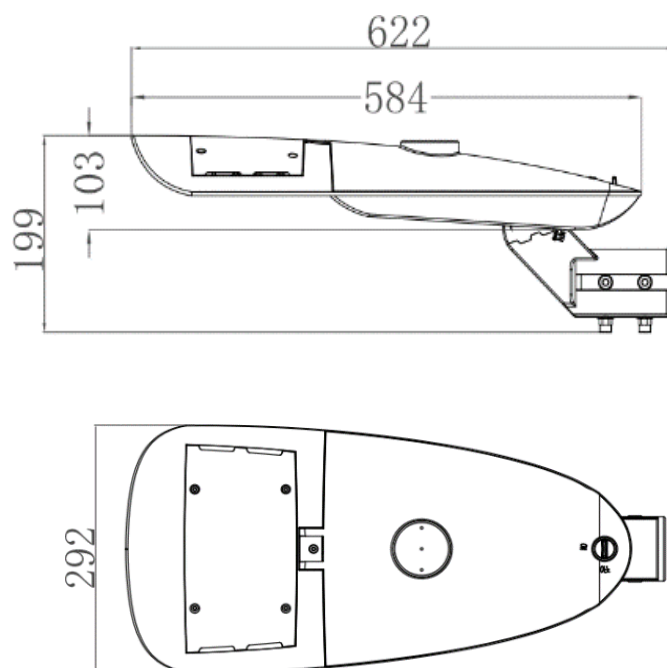
Other characteristics

Model	Light fitting power (W)	Luminous flux (lm)	Efficacy (lm/W)	CCT	CRI
Urban MX	50 - 100	5700 - 12800	101 - 136	3000	>70

Dimensions

Model	Width (mm)	Length (mm)	Height (mm)	Base diameter (mm)	Mass (kg)
Urban MX	292	584	103	60	6.3

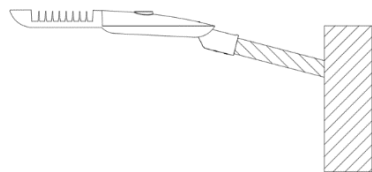
Urban MX



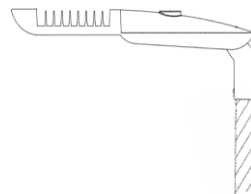
Connecting and disconnecting of the light fitting and all its parts **MUST** be done in a voltage-free state.

Mounting the light fitting

1. The light fitting power cord comes out of the light fitting door, where:
 - a. L – brown
 - b. N – blue
 - c. Grounding (GND) – yellow green
2. Bring the LV mains connection cable to the light fitting door. If an additional bracket (arm) is used, run the cable through the bracket (arm).
 The light fitting is connected directly to the mains with the included 3x1mm² cable (rubber) or via the WAGO 294-5013 connector. The cable is connected to the network, made with a self-supporting cable bundle, to a single phase (one conductor of the public lighting network L1-L2 or L1-L3 or L2-L3), and this is done alternately to two phase conductors intended for powering public lighting. An outlet +inlet plug is provided for manipulation. The N-conductor is used for consumer networks. For a network built with five bare conductors, the cable is connected to the public lighting conductor and a common N-conductor of the consumer network and the public lighting network.
3. Using terminal blocks, connect the phase (L), zero (N) and grounding (GND) wires correctly. The terminal blocks are not included with the light fitting.
4. When installing the light fitting, additionally check that the protective cover of the Zhaga socket is properly fastened.
5. Attach/mount the light fitting to the mast or bracket (arm) by tightening the screws located on the light fitting neck (2xM8 screws).
6. The light fitting is fixed directly on the mast (top) or bracket (arm), in the position as shown in the figures.

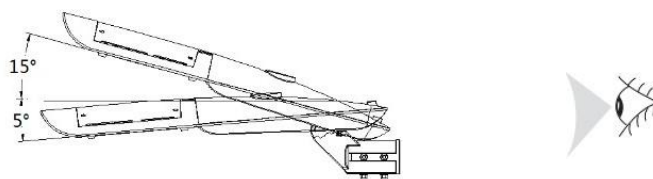


Bracket (arm) mounting

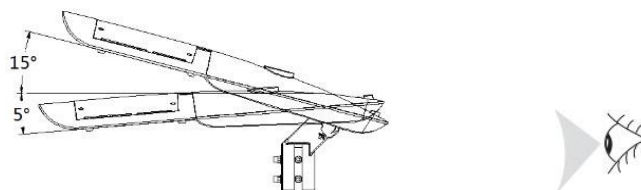


Mast mounting

7. If necessary, change the inclination of the light fitting on the mast or bracket (arm) by regulating the light fitting door (in the -5° to +15° range), for arm mounting (in the -5° to +15° range)



-5°, 0°, 5°, 10°, 15°

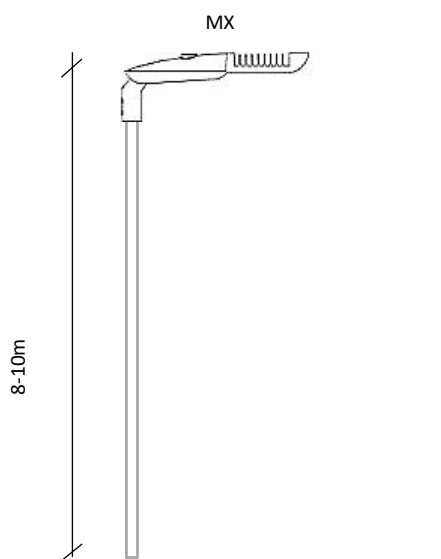


-5°, 0°, 5°, 10°, 15°

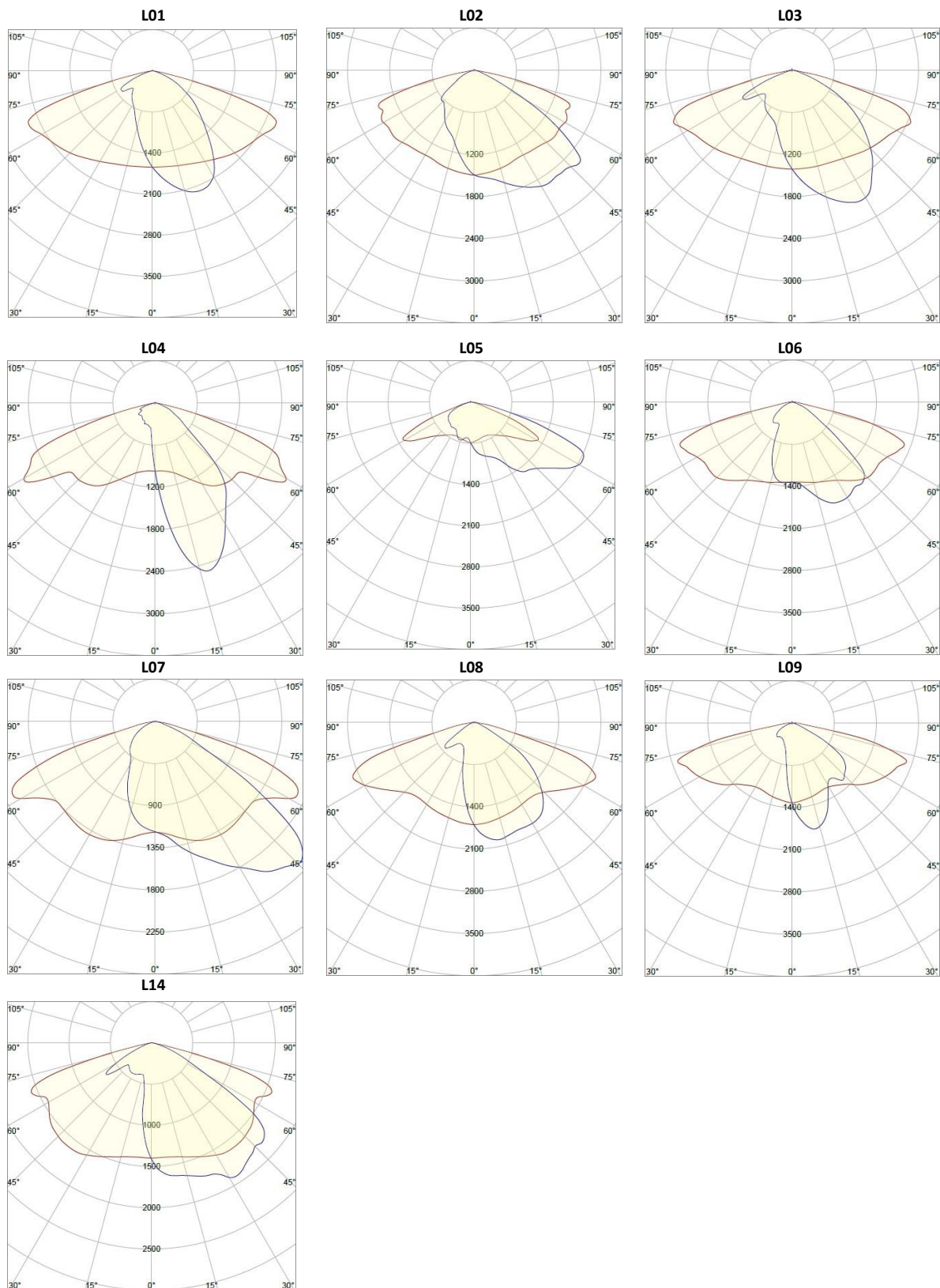
URBAN MX



	Optimal mounting height (m)
Model MX	8 – 10



TYPICAL LIGHT DISTRIBUTION



Light fitting maintenance

The light fitting is modular so that in the event of malfunction of individual parts, the replacement can be done without dismantling the entire light fitting from the mast or bracket (arm).

For this purpose, the light fitting is designed in such a way that it is possible to open the housing without using tools. If maintenance is carried out without dismantling, the light fitting must not be opened during bad weather to avoid condensation of moisture inside the light fitting.

Before closing the protective cover, the interior of the light fitting should be wiped with a dry soft cloth. In doing so, it is necessary to check the condition of the protective cover gasket and replace it if damaged.

Installation and maintenance

The light fittings may only be installed/dismantled by qualified persons authorised by the manufacturer.

In the event that the installation/dismantling is carried out by an unauthorised person, the light fitting warranty is lost.

The standard light fitting warranty is 6 years unless otherwise indicated.

The light fittings may only be serviced by the manufacturer or by an authorised repairer.

The light source located inside the luminaire may only be serviced by the manufacturer, an authorised repairer or another qualified person authorised by the manufacturer.

Torque in Nm applied to any screw fixing the light fitting to the mast: 3Nm.

Manufacturer and authorised repairer

M SAN Grupa d.o.o.
Dugoselska ulica 5, 10 372 Rugvica
Tel.+385 (0) 1 3654 900
Fax.+385 (0) 1 3654 926

www.mslux.eu
e-mail: mslux_info@msan.hr



URBAN MX